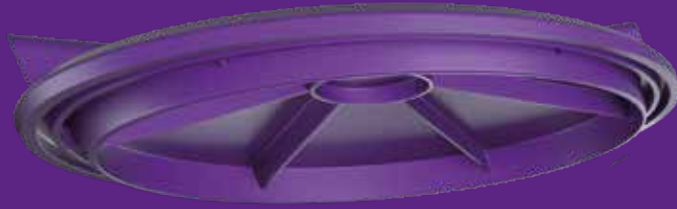


Product range _____

Grease separators


 **KESSEL**



Easy. Clean.

New generation
fully EN 1825 certified
grease separators



 Made in Germany

Leading in drainage

This is KESSEL.

Since 1963, KESSEL has stood like no other company for innovative and reliable drainage technology. We have established ourselves as the impulse generator in the industry and are now a worldwide premium supplier.



Competent partner
since 1963



International player
60+
countries



Innovative premium supplier
3.000+
products



Safe employer
765
employees



Sustainable company
141,5 mio. €
in sales

During the production of our products as well as their operation on-site, we keep quality assurance, environmental protection and worker's safety at the top of our list.

We also place great value in the relationship with our customer, providing consultation, installation support, commissioning and after-sales service.

One thing is certain, our innovation, quality, reliability and service is number one in the industry.

KESSEL – Leading in drainage



Made in Germany



KESSEL Headquarters Lenting, Germany

Leading in drainage.

No matter whether the task involves discharging water, wastewater treatment or backwater protection: if the best solution is required, there is no option but KESSEL.



Backwater protection

Backwater valves
Backwater chambers



Pump technology

Backwater pumping station
Hybrid lifting station
Lifting stations
Pumping stations
Submersible pumps,
conversions and control units



Drains & channels

Bathroom drains
Floor drains
Basement drains
Outdoor drains



Separators

Grease separators
Coalescence / Oil /
Fuel separators
Sediment separators
Starch separators

Everything from one source The KESSEL system



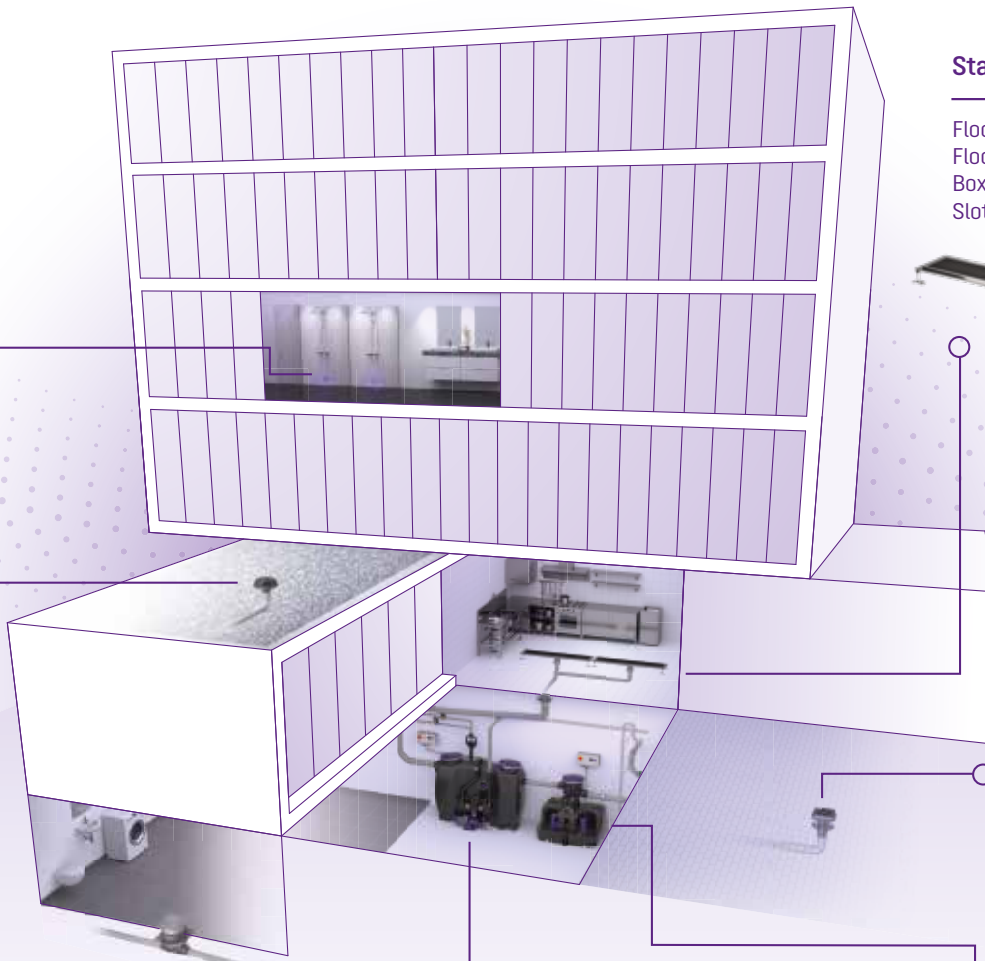
Bathroom drains

- Floor drains
- Shower channels
- Wall drains



Stainless steel drains

- Floor drains
- Floor trays
- Box channels
- Slotted channels



Outdoor drains

- Roof drains
- Gutter drains



Outdoor drains

- Floor drains
- Yard drains
- Parking deck drains



Backwater protection

- Backwater valves
- Backwater chambers
- Backwater pumping stations



Separators

- Grease separators
- Light liquid separators
- Starch separators
- Sediment separators



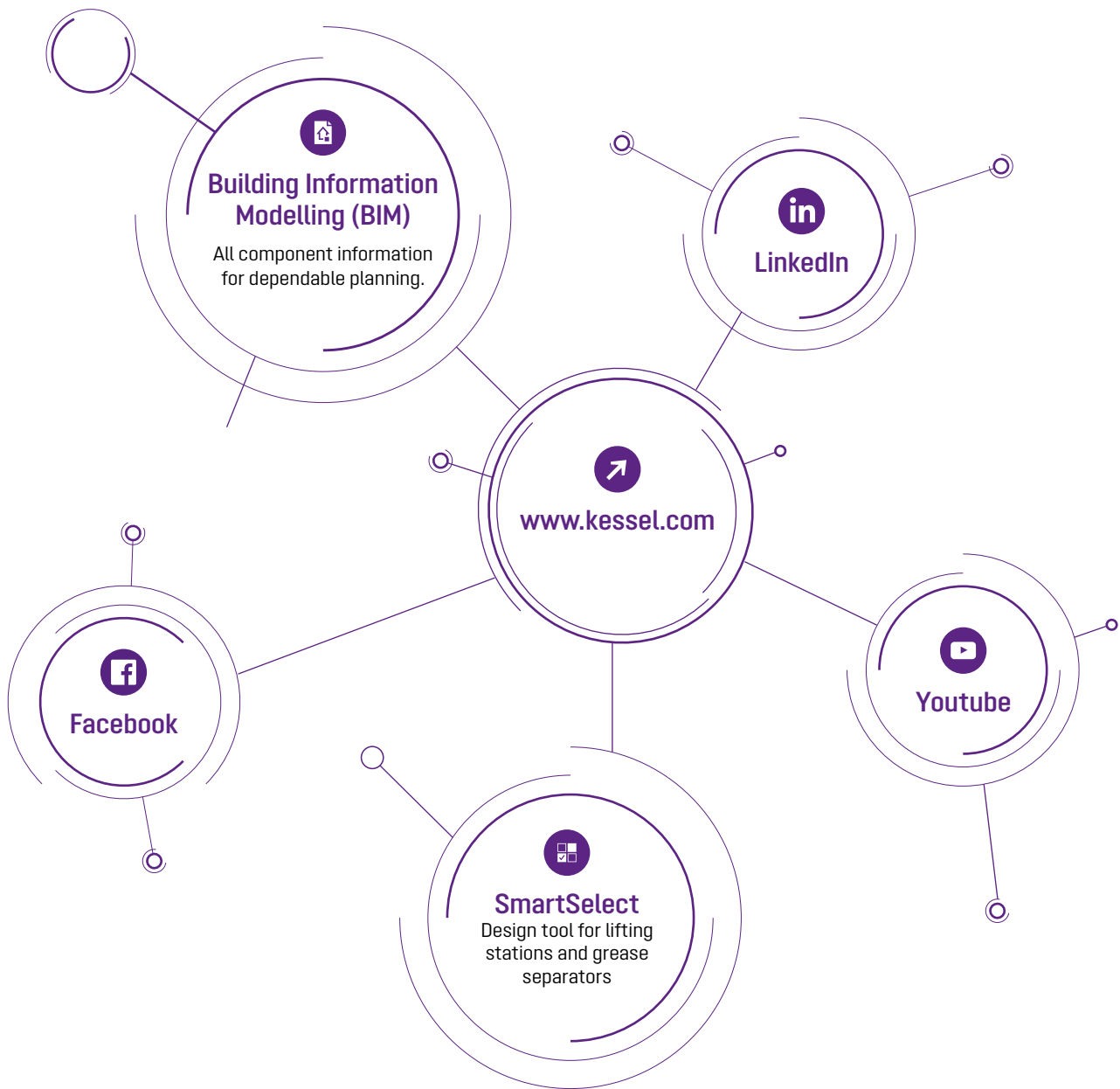
Pumping technology

- Lifting stations
- Pumping stations
- Submersible pumps
- Hybrid lifting stations



KESSEL SmartServices

Our digital services offer



Stay up to date:
get always the newest information
about KESSEL and our products



BIM



LinkedIn



Facebook



SmartSelect



Youtube







Overview Separator technology

Grease separators



Grease separator
EasyClean free







➤ Page 14

- Auto Mix & Pump 
- Mix & Pump 
- Auto Mix 
- Mix 
- Direct 
- Standard 



Grease separator
EasyClean free round

➤ Page 369

- Auto Mix & Pump 
- Mix & Pump 
- Auto Mix 
- Mix 
- Direct 
- Standard 



Grease separator
EasyClean free Basic

➤ Page 34

- Direct 
- Standard 



Grease separator
EasyClean free Self Disposal

➤ Page 45



Grease separator
EasyClean free UnderSink



➤ Page 48









Secondary wastewater treatment
Bifena

➤ Page 66

Installation location

-  Outdoor, underground
-  Indoor, free-standing
-  Floor slab installation

Disposal options

-  Auto Mix & Pump
-  Mix & Pump
-  Auto Mix
-  Mix
-  Direct
-  Standard/Basic

Coalescence / Oil / Fuel separators



Grease separator
EasyClean Modular

[↗ Page 38](#)

Direct 

Standard 



Grease separator
EasyClean ground

[↗ Page 50](#)

Auto Mix & Pump 

Auto Mix 

Direct 

Standard 

Multi Direct 

Multi Standard 



Coalescence and oil separator
EasyOil free & ground

[↗ Page 68](#)

Sediment separators



Sediment separators
EasySink free & ground

[↗ Page 70](#)

Starch separators



Starch separator
EasyStarch free & ground

[↗ Page 71](#)

Everything specialists need to know

Why you need a grease separator



Areas of application

- Kitchen operations and large-scale catering establishments, e.g. restaurants, hotels, canteens, motorway service stations
- Butchers
- Slaughterhouses / Abattoirs
- Soap and stearin factories
- Cooking oil refineries
- Canning factories
- ... and many more

Statutory provision

Grease separators are required by law for fat, oil and grease contaminated wastewater streams from commercial kitchens.

Pipe blockages, corrosion and odour formation

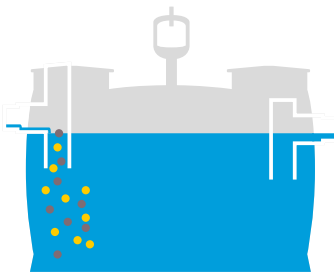
Fat, oil, grease and food residue entering the building's wastewater drainage pipe system results in build-up, blockage and odour issues which are difficult to handle. This results in corrosion or complete failure of the drainage pipe system.

Environmental protection

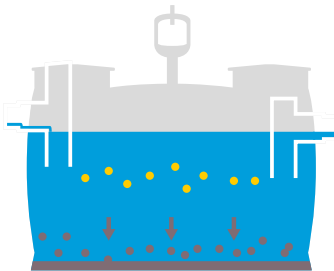
Grease separators prevent the environment from being contaminated by greasy wastewater and contribute to the trouble-free operation of sewage treatment plants.

Operation of a grease separator

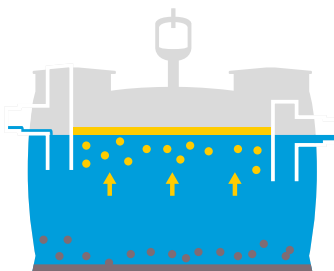
The operation of grease separators is based on the gravity principle. Lighter than water oil and grease float to the surface of the separator, heavier than water flood sludge settle to the bottom of the separator and the clean treated water leaves the separator via a protected outlet.



The contaminated wastewater is routed into the grease separator where it is slowed down by a deflector plate.



Substances that are heavier than water sink to the bottom and settle in the sludge trap.



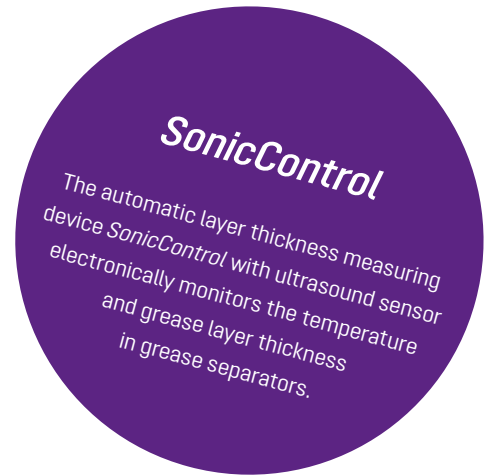
Grease and oil rise to the top and form a grease layer that is retained between the inlet and outlet.

Polymer grease separators

Polymer grease separator systems are an advantageous alternative to stainless steel solutions as they 100 % corrosion free.

The polyethylene material used is resistant to aggressive fatty acids – and therefore particularly durable.

In addition to the statutory provision, we provide a 20-year warranty with regard to the leak tightness and structural safety of tanks and upper sections.



Grease separator disposal - the right choice

Grease separators must be completely emptied on a regular basis to dispose of the retained waste materials. The options range from a basic system with manual disposal to a fully automatic disposal system.

Direct disposal

Enables the extraction of the grease separator contents through a permanently installed disposal pipe without opening the tank.

Shredder-Mix-System

Fully mixes the contents of the grease separator into a slurry to aide in the disposal process.

Control unit

Enables the convenient setting and control of the grease separator functions using a control unit mounted on the wall.

Disposal pump

Handles the disposal of the grease separator in the case of longer distances between the separator and the disposal truck.

Fully automatic

Controls the disposal and rinsing processes fully automatically.

Disposal options	EasyClean free (Basic)		EasyClean free			
	Standard	Direct	Mix	Auto Mix	Mix & Pump	Auto Mix & Pump
Connection for direct disposal		✓	✓	✓	✓	✓
Shredder-Mix-System			✓	✓	✓	✓
Control unit				✓	✓	✓
Disposal pump					✓	✓
Fully automatic						✓

Connection to the drainage system

with a lifting station or a hybrid lifting station.

Separator outlet below sewer level – lifting station required



- 1 Properly sized lifting station
- 2 Two 45° curved fittings
- 3 Wastewater calming section
- 4 Connected drainage fixtures

The wastewater must flow into the grease separator system with gravity. Grease separator systems whose water level is below the backwater level (see EN 752-1) or sewer level should be connected to a properly sized lifting station (shown as 1 in the illustration).

The wastewater pipes to the separator systems must have a gradient of at least 2 % (1:50) to prevent grease blockage. If this is not possible for constructional or operational reasons, and/or if longer pipes are necessary, suitable measures must be taken to prevent grease blockages and deposits. The transition from downpipes to horizontal pipes must be handled with two 45° curved fittings with a large radius.

A wastewater calming section, the length of which corresponds to at least the 10-fold of the inlet pipe's nominal width in millimetres, must then be provided immediately before the inlet of the separator.

Separator outlet above sewer level- hybrid lifting station required



- 1 Properly sized hybrid lifting station
- 2 Two 45° curved fittings
- 3 Wastewater calming section
- 4 Connected drainage fixtures

Discharge points, such as floor drains, must be equipped with odour traps and, if necessary, with sludge buckets that can be removed for cleaning.

Grease separators *EasyClean free*

The versatile solution for free-standing installation

The KESSEL grease separator *EasyClean free* combines ease of installation, cleaning performance and energy efficiency. The narrow tank shape offers two advantages: 1) the complete technology can be integrated on the base area of the separator. 2) easier to transport the grease separator through narrow entranceways and set it up directly against the wall, saving a great deal of space.



Improved access thanks to the curved shape

Also ideal for retrofitting and renovation work in rooms with very narrow access.

Remote control

located at the disposal truck connection.



Control unit

with multilingual (EN, DE, FR, IT, PL, NL) digital display for operating state and servicing instructions as well as connection option for building management system.



Improved cleaning results

Integrated sloped base for extraction at the lowest point (only 3 litres residual sludge volume).

For nominal sizes NS 2 - NS 10.



EasyClean free

Article numbers • Data sheets
Accessories • Spareparts
Videos • Download • BIM

www.kessel.com/easyclean-free



Grease separators 60 Hz/400 V

Now also available in 60 Hz. For more information contact us at info@kessel.com

Refill unit

Hot water for cleaning and cold water for refilling the separator after disposal.

Resistant to aggressive grease

The polyethylene material used is 100% resistant to aggressive grease. This guarantees a long service life since there is no damage to the material due to corrosion.

SonicControl

for the measurement, display and control of the grease layer thickness in a grease separator.



Planning made easy!

Direction of flow can be changed on site by swapping inlet and outlet.



Warranty

KESSEL offers a factory extended warranty of 20 years on the polyethylene grease separator tanks.

Shredder-Mix-System

serves to mix and clean the tank contents without odor emission during disposal. 13-steps fully automated disposal (adjustable steps to meet site requirements)

Grease separator *EasyClean* free Auto Mix & Pump NS 2 - 10

for free-standing installation



EN 1825

Tank

Manufactured from virgin, non-recycled polyethylene, for free standing installation in frost protected areas, with integrated sludge trap, sloped interior base improves cleaning and reduces disposal time, inlet flow calming system and outlet flow regulation device, inlet and outlet interchangeable, slanted twin access covers with quick release odour tight snap closures, inspection window with interior cleaning arm, 75 mm OD PN 10 pressure disposal pipe, with integrated fork lift grips at base of separator, low weight - compact design, 100 % corrosion free polyethylene body construction (20 year warranty).

Disposal System

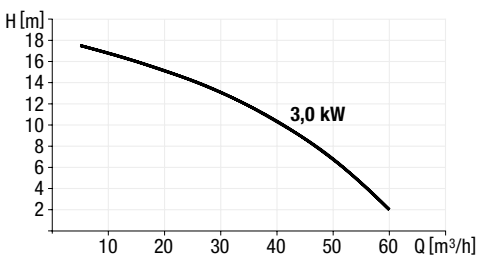
Auto Mix & Pump version fully automated odour free disposal, cleaning and refilling system at touch of button, maintenance free macerating pump (stainless steel blades) for separator cleaning and disposal, includes closure valve for easy pump removal, pump floor mount included with installation hardware and anti-vibration matt, actuator valve for automated transfer from cleaning to disposal mode, pumping capacity 3.0 kW (stronger pumps available on request), 5 m cable length, top mounted water jet(s) for grease layer breakup and water spray nozzles for interior wall cleaning during disposal, twin 1 inch solenoid valves for connection of cold and hot water pipes to separator, 1 inch interior threaded refill inlet with air gap.

Control Unit with LCD display control settable in English, German, French, Italian, Dutch or Polish language and mains power safety on / off switch, with BMS connections (potential free contact and Modbus).

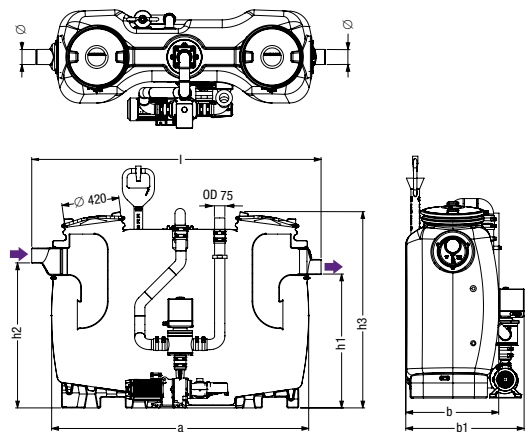
Delivery: System completely assembled.

- **Accessories:** Sampling chamber, remote control, *TeleControl* pages 41, lifting stations see chapter "3"
- **Technical note:** page 40
- **Note:** Also available in 60 Hz / 400 V

Pumping capacity



	without <i>SonicControl</i>	with <i>SonicControl</i>
NS	Art. no.	Art. no.
NS 2	93 002.01/PVS	93 002.02/PVS
NS 3	93 003.01/PVS	93 003.02/PVS
NS 4	93 004.01/PVS	93 004.02/PVS
NS 7	93 007.01/PVS	93 007.02/PVS
NS 10	93 010.01/PVS	93 010.02/PVS



NS	Ø (mm)	a (mm)	Installation dimension				Weight (kg)	Sludge trap (l)	Water and grease		Grease storage (l)	Total (l)
			l × b (mm)	b1 (mm)	h1 (mm)	h2 (mm)			h3 (mm)	(l)		
2	110	1500	1735 × 680	860	985	1055	1435	160	200	400	100	600
3	110	1500	1735 × 680	860	985	1055	1435	165	300	300	120	600
4	110	1880	2115 × 680	860	985	1055	1435	178	400	400	160	800
7	160	1910	2145 × 940	1130	1185	1255	1655	226	700	650	280	1350
10	160	2590	2820 × 940	1130	1185	1255	1655	272	1000	900	400	1900

Ø = Outer diameter b1 = Set-up dimensions



Grease separator *EasyClean* free Auto Mix & Pump NS 15 – 50

for free-standing installation



EN 1825

Tank

Manufactured from virgin, non-recycled polyethylene, for free-standing installation in frost-protected areas, with integrated sludge trap and sloped base for fast and clean disposal, with two domed covers made of polymer, with quick-release closures, sealed odour-tight, with suction device installed for the joint disposal of contents of sludge trap and grease separator chamber, intake pipe 75 mm OD PN 10 in accordance with DIN 2501, Storz-B coupling R 2 1/2 for connection to the disposal vehicle. Inspection window with wiper. Inlet and outlet \varnothing 200 / 250 mm for the connection to PE-HD pipes according to DIN 19537, HT pipes according to DIN 19560, PP or AS.

Disposal System

Auto Mix & Pump with program-controlled disposal and rinsing device and Shredder-Mix-System, KESSEL disposal system Auto Mix & Pump with switching distribution and actuator valve, mixing and rinsing device via jet and conic nozzles, external pump(s) 3.0 kW (IP55, 400 V, 50 Hz; stronger pumps available on request) with integrated chopping mechanism and closure valve, 5 m cable length, 2 solenoid valves 1", with refill inlet in accordance with DIN 1988.

Control Unit for actuating the pump(s) with potential-free contact and Modbus.

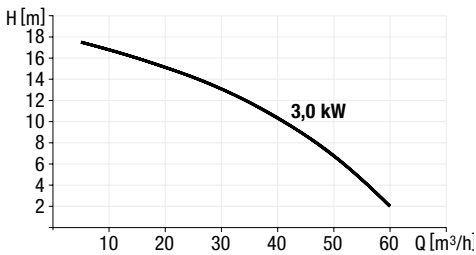
Delivery: System completely assembled.

➤ **Accessories:** Sampling chamber, remote control, *TeleControl*, *SonicControl* level sensing system pages 41, lifting stations see chapter "3"

➤ **Technical note:** page 40

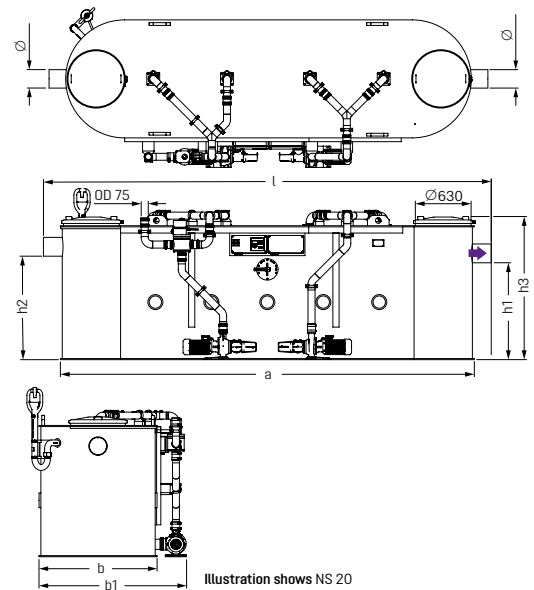
➤ **Note:** Also available in 60 Hz / 400 V

Pumping capacity



without *SonicControl*

NS	Art. no.
NS 15	93 015-06-PVS
NS 20	93 020-06-PVS
NS 25	93 025-06-PVS
NS 30	93 030-06-PVS
NS 35	93 035.01/PVS
NS 40	93 040.01/PVS
NS 50	93 050.01/PVS



NS	\varnothing (mm)	a (mm)	Installation dimension l × b (mm)	b1 (mm)	h1 (mm)	h2 (mm)	h3 (mm)	Sludge trap (l)	Water and grease (l)	Grease storage (l)	Total (l)
15	200	3400	3755 × 1280	1600	1130	1200	1625	1500	2020	600	3520
20	200	4400	4760 × 1280	1600	1030	1100	1625	2000	2230	800	4230
25	200	4780	5140 × 1280	1600	1030	1100	1625	2500	2050	1000	4550
30	250	4700	5160 × 1280	1600	1170	1240	1625	3000	2250	1200	5250
35	250	6000	6480 × 1500	1770	1130	1200	1662	3500	4500	1400	8000
40	250	6200	6680 × 1600	1870	1130	1200	1662	4000	5000	1600	9000
50	250	6200	6680 × 1800	2070	1350	1420	1882	5000	6200	2240	11200



\varnothing = Outer diameter b1 = Set-up dimensions

Grease separator *EasyClean* free Mix & Pump NS 2 – 10 for free-standing installation



EN 1825

Tank

Manufactured from virgin, non-recycled polyethylene, for free standing installation in frost protected areas, with integrated sludge trap, sloped interior base improves cleaning and reduces disposal time, inlet flow calming system and outlet flow regulation device, inlet and outlet interchangeable, slanted twin access covers with quick release odour tight snap closures, inspection window with interior cleaning arm, 75 mm OD PN 10 pressure disposal pipe, with integrated fork lift grips at base of separator, low weight - compact design, 100 % corrosion free polyethylene body construction (20 year warranty).

Disposal System

Mix & Pump version manually controlled odour free disposal, cleaning and refilling system at touch of button, maintenance free macerating pump (stainless steel blades) for separator cleaning and disposal, includes closure valve for easy pump removal, pump floor mount included with installation hardware and anti-vibration matt, manual hand valve for transfer from cleaning to disposal mode, pumping capacity 3.0 kW (stronger pumps available on request), 5 m cable length, top mounted water jet(s) for grease layer breakup and water spray nozzles for interior wall cleaning during disposal, 1 inch manual hand valve for water refill, 1 inch interior threaded refill inlet with air gap.

Control Unit with LCD display control settable in English, German, French, Italian, Dutch or Polish language and mains power safety on/off switch, with BMS connections.

Delivery: System completely assembled.

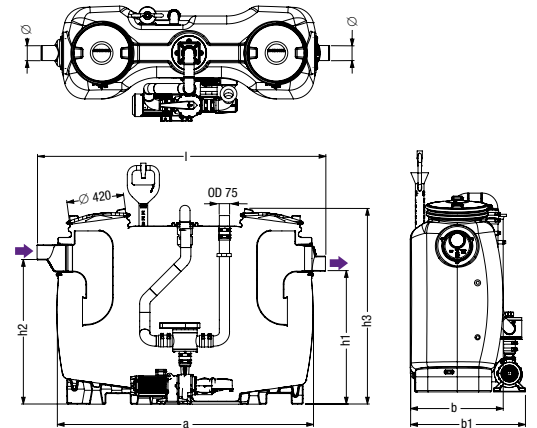
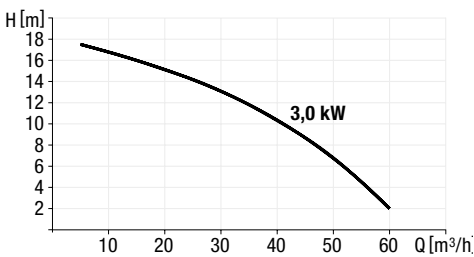
- **Accessories:** Sampling chamber pages 41
- **Technical note:** page 40
- **Note:** Also available in 60 Hz / 400 V



without SonicControl *with SonicControl*

NS	Art. no.	Art. no.
NS 2	93 002.01/MS	93 002.02/MS
NS 3	93 003.01/MS	93 003.02/MS
NS 4	93 004.01/MS	93 004.02/MS
NS 7	93 007.01/MS	93 007.02/MS
NS 10	93 010.01/MS	93 010.02/MS

Pumping capacity



NS	Ø (mm)	a (mm)	Installation dimension				Weight (kg)	Sludge trap (l)	Water and grease		Grease storage		Total (l)
			l × b (mm)	b1 (mm)	h1 (mm)	h2 (mm)			h3 (mm)	(l)	(l)	(l)	
2	110	1500	1735 × 680	860	985	1055	1435	155	200	400	100	600	
3	110	1500	1735 × 680	860	985	1055	1435	160	300	300	120	600	
4	110	1880	2115 × 680	860	985	1055	1435	173	400	400	160	800	
7	160	1910	2145 × 940	1130	1185	1255	1655	221	700	650	280	1350	
10	160	2590	2820 × 940	1130	1185	1255	1655	267	1000	900	400	1900	

Ø = Outer diameter b1 = Set-up dimensions



Grease separator *EasyClean* free Mix & Pump NS 15 – 50

for free-standing installation



EN 1825

Tank

Manufactured from virgin, non-recycled polyethylene, for free-standing installation in frost-protected areas, with integrated sludge trap and sloped base for fast and clean disposal, with two domed covers made of polymer, with quick-release closures, sealed odour-tight, with suction device installed for the joint disposal of contents of sludge trap and grease separator chamber, intake pipe 75 mm OD PN 10 in accordance with DIN 2501, Storz-B coupling R 2 1/2 for connection to the disposal vehicle. Inspection window with wiper. Inlet and outlet \varnothing 200 / 250 mm for the connection to PE-HD pipes according to DIN 19537, HT pipes according to DIN 19560, PP or AS.

Disposal System

Mix & Pump with manual disposal and rinsing device and Shredder-Mix-System, KESSEL disposal system Mix & Pump with switching distribution, mixing and rinsing device via jet and conic nozzles, external pump(s), with integrated chopping mechanism and closure valve, pumping capacity 3.0 kW (stronger pumps available on request), 5 m cable length, refill inlet in accordance with DIN 1988.

Control Unit for actuating the pump(s).

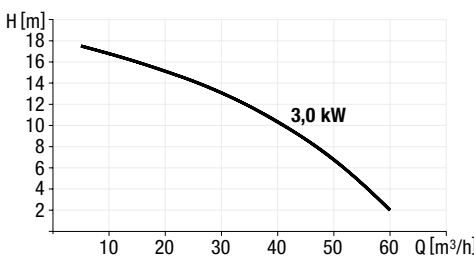
Delivery: System completely assembled.

➤ **Accessories:** Sampling chamber, *SonicControl* level sensing system pages 41

➤ **Technical note:** page 40

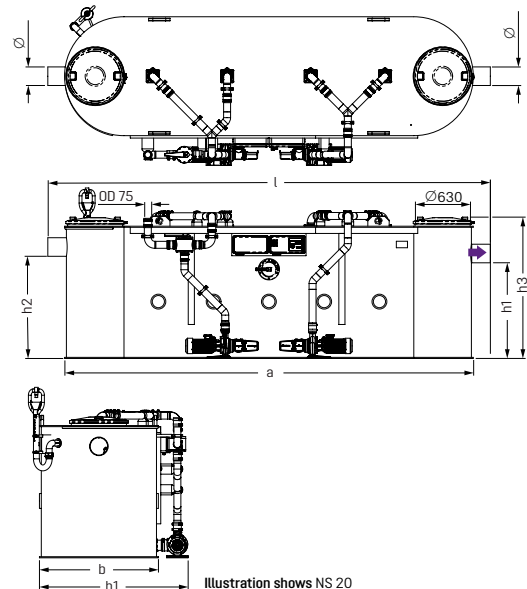
➤ **Note:** Also available in 60 Hz / 400 V

Pumping capacity



without *SonicControl*

NS	Art. no.
NS 15	93 015-06-MS
NS 20	93 020-06-MS
NS 25	93 025-06-MS
NS 30	93 030-06-MS
NS 35	93 035.01/MS
NS 40	93 040.01/MS
NS 50	93 050.01/MS



NS	\varnothing (mm)	a (mm)	Installation dimension l × b (mm)	b1 (mm)	h1 (mm)	h2 (mm)	h3 (mm)	Sludge trap (l)	Water and grease (l)	Grease storage (l)	Total (l)
15	200	3400	3755 × 1280	1600	1130	1200	1625	1500	2020	600	3520
20	200	4400	4760 × 1280	1600	1030	1100	1625	2000	2230	800	4230
25	200	4780	5140 × 1280	1600	1030	1100	1625	2500	2050	1000	4550
30	250	4700	5160 × 1280	1600	1170	1240	1625	3000	2250	1200	5250
35	250	6000	6480 × 1500	1770	1130	1200	1662	3500	4500	1400	8000
40	250	6200	6680 × 1600	1870	1130	1200	1662	4000	5000	1600	9000
50	250	6200	6680 × 1800	2070	1350	1420	1882	5000	6200	2240	11200



\varnothing = Outer diameter b1 = Set-up dimensions

Grease separators *EasyClean* free Auto Mix NS 2 – 10

for free-standing installation



EN 1825

Tank

Manufactured from virgin, non-recycled polyethylene, for free-standing installation in frost protected areas, with integrated sludge trap, sloped interior base improves cleaning and reduces disposal time, inlet flow calming system and outlet flow regulation device, inlet and outlet interchangeable, slanted twin access covers with quick release odour tight snap closures, inspection window with interior cleaning arm, 75 mm OD PN 10 pressure disposal pipe, with integrated fork lift grips at base of separator, low weight - compact design, 100% corrosion free polyethylene body construction (20 year warranty).

Disposal System

Auto Mix version with simultaneous mixing and cleaning of separator interior - requires disposal truck with vacuum system for separator disposal, disposal is completely odour free, maintenance free macerating pump (stainless steel blades) includes closure valve for easy pump removal, pump floor mount included with installation hardware and anti-vibration matt, top mounted water jet(s) for grease layer breakup and water spray nozzles for interior wall cleaning during disposal, 1 inch interior thread refill inlet with air gap, pumping capacity 3.0 kW (stronger pumps available on request), 5 m cable length, twin 1 inch solenoid valves for connection of cold and hot water pipes to separator, with remote control offering full separator disposal control from remote location (from disposal truck location).

Control Unit with LCD display control settable in English, German or French language and mains power safety on/off switch, with BMS connections.

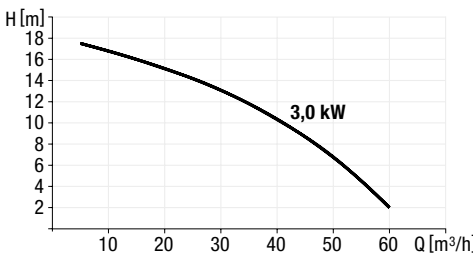
Delivery: System completely assembled.

➤ **Accessories:** Sampling chamber, remote control, *TeleControl* pages 41

➤ **Technical note:** page 40

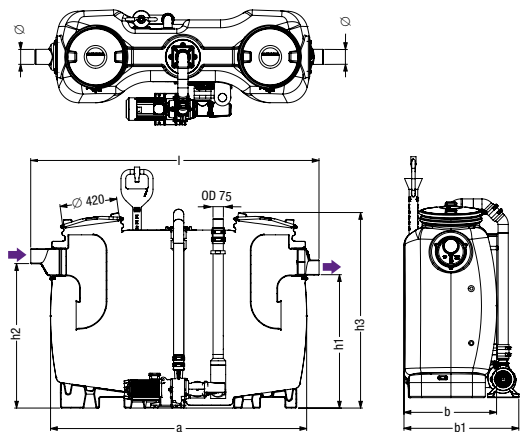
➤ **Note:** Also available in 60 Hz / 400 V

Pumping capacity



without SonicControl *with SonicControl*

NS	Art. no.	Art. no.
NS 2	93 002.01/DSP	93 002.02/DSP
NS 3	93 003.01/DSP	93 003.02/DSP
NS 4	93 004.01/DSP	93 004.02/DSP
NS 7	93 007.01/DSP	93 007.02/DSP
NS 10	93 010.01/DSP	93 010.02/DSP



NS	Installation dimension			b1 (mm)	h1 (mm)	h2 (mm)	h3 (mm)	Weight (kg)	Sludge trap (l)	Water and grease		Grease storage (l)	Total (l)
	Ø (mm)	a (mm)	l × b (mm)							(l)	(l)		
2	110	1500	1735 × 680	860	985	1055	1435	150	200	400	100	600	
3	110	1500	1735 × 680	860	985	1055	1435	155	300	300	120	600	
4	110	1880	2115 × 680	860	985	1055	1435	168	400	400	160	800	
7	160	1910	2145 × 940	1130	1185	1255	1655	216	700	650	280	1350	
10	160	2590	2820 × 940	1130	1185	1255	1655	262	1000	900	400	1900	

Ø = Outer diameter b1 = Set-up dimensions



Grease separator *EasyClean* free Auto Mix NS 15 – 50

for free-standing installation



EN 1825

Tank

Manufactured from virgin, non-recycled polyethylene, for free-standing installation in frost-protected areas, with integrated sludge trap and sloped base for fast and clean disposal, with two domed covers made of polymer, with quick-release closures, sealed odour-tight, with suction device installed for the joint disposal of contents of sludge trap and grease separator chamber, intake pipe 75 mm OD PN 10 in accordance with DIN 2501, Storz-B coupling R 2 1/2 for connection to the disposal vehicle. 2 solenoid valves 1", inspection window with wiper, viewing window with wiper. Inlet and outlet \varnothing 200 / 250 mm for the connection to PE-HD pipes according to DIN 19537, HT pipes according to DIN 19560, PP or AS.

Disposal System

Auto Mix with direct disposal and Shredder-Mix-System, KESSEL Shredder-Mix-System with mixing and rinsing via jet and conic nozzles, external pump(s), with integrated chop-ping mechanism and closure valve, pumping capacity 3.0 kW (stronger pumps available on request), 5 m cable length, refill inlet in accordance with DIN 1988, R 1 connection.

Control Unit for actuating the pump(s) and the solenoid valves.

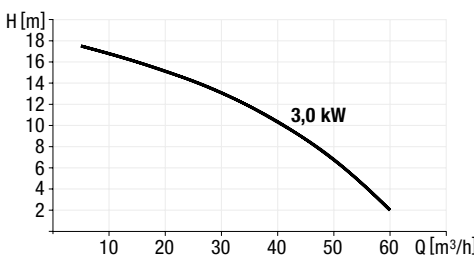
Delivery: System completely assembled.

➤ **Accessories:** Sampling chamber, remote control, *TeleControl*, *SonicControl* level sensing system pages 41

➤ **Technical note:** page 40

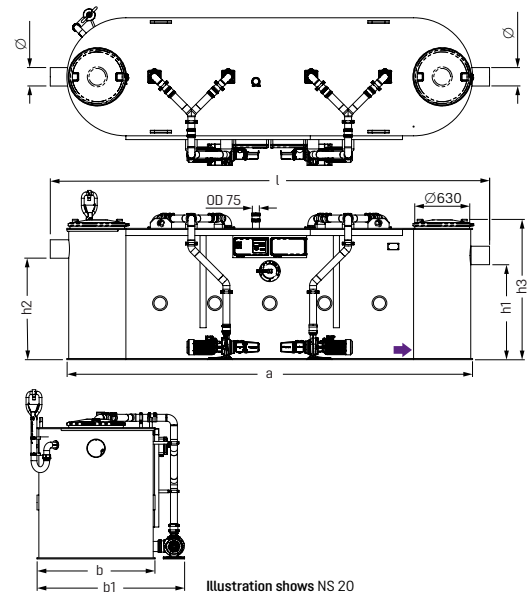
➤ **Note:** Also available in 60 Hz / 400 V

Pumping capacity



without *SonicControl*

NS	Art. no.
NS 15	93 015-06-DSP
NS 20	93 020-06-DSP
NS 25	93 025-06-DSP
NS 30	93 030-06-DSP
NS 35	93 035.01/DSP
NS 40	93 040.01/DSP
NS 50	93 050.01/DSP



NS	\varnothing (mm)	a (mm)	Installation dimension l × b (mm)	b1 (mm)	h1 (mm)	h2 (mm)	h3 (mm)	Sludge trap (l)	Water and grease (l)	Grease storage (l)	Total (l)
15	200	3400	3755 × 1280	1600	1130	1200	1625	1500	2020	600	3520
20	200	4400	4760 × 1280	1600	1030	1100	1625	2000	2230	800	4230
25	200	4780	5140 × 1280	1600	1030	1100	1625	2500	2050	1000	4550
30	250	4700	5160 × 1280	1600	1170	1240	1625	3000	2250	1200	5250
35	250	6000	6480 × 1500	1770	1130	1200	1662	3500	4500	1400	8000
40	250	6200	6680 × 1600	1870	1130	1200	1662	4000	5000	1600	9000
50	250	6200	6680 × 1800	2070	1350	1420	1882	5000	6200	2240	11200

\varnothing = Outer diameter b1 = Set-up dimensions



Grease separators *EasyClean* free Mix NS 2 – 10

for free-standing installation



EN 1825

Tank

Manufactured from virgin, non-recycled polyethylene, for free standing installation in frost protected areas, with integrated sludge trap, sloped interior base improves cleaning and reduces disposal time, inlet flow calming system and outlet flow regulation device, inlet and outlet interchangeable, slanted twin access covers with quick release odour tight snap closures, inspection window with interior cleaning arm, 75 mm OD PN 10 pressure disposal pipe, with integrated fork lift grips at base of separator, low weight - compact design, 100 % corrosion free polyethylene body construction (20 year warranty).

Disposal System

Mix version with simultaneous mixing and cleaning of separator interior - requires disposal truck with vacuum system for separator disposal, disposal is completely odour free, maintenance free macerating pump (stainless steel blades) includes closure valve for easy pump removal, pump floor mount included with installation hardware and anti-vibration matt, pumping capacity 3.0 kW (stronger pumps available on request), 5 m cable length, top mounted water jet(s) for grease layer breakup and water spray nozzles for interior wall cleaning during disposal, 1 inch interior thread refill inlet with air gap, 1 inch manual hand valve for water refill, with hand held operation controller.

Delivery: System completely assembled.

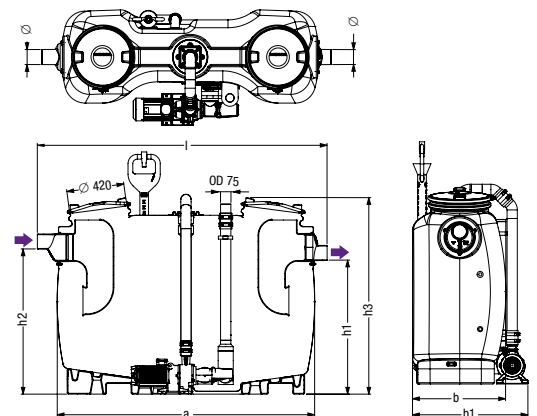
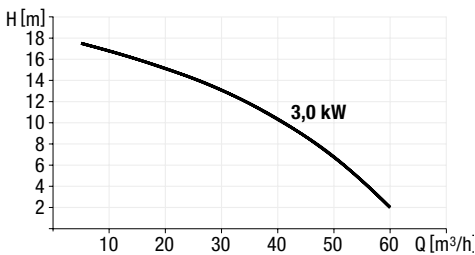
- **Accessories:** Sampling chamber, inspection window pages 41
- **Technical note:** page 40
- **Note:** Also available in 60 Hz / 400 V



without SonicControl *with SonicControl*

NS	Art. no.	Art. no.
<i>Without inspection window</i>		
NS 2	93 002.01/DS	93 002.02/DS
NS 3	93 003.01/DS	93 003.02/DS
NS 4	93 004.01/DS	93 004.02/DS
NS 7	93 007.01/DS	93 007.02/DS
NS 10	93 010.01/DS	93 010.02/DS
<i>With inspection window</i>		
NS 2	93 002.31/DS	93 002.32/DS
NS 3	93 003.31/DS	93 003.32/DS
NS 4	93 004.31/DS	93 004.32/DS
NS 7	93 007.31/DS	93 007.32/DS
NS 10	93 010.31/DS	93 010.32/DS

Pumping capacity



NS	Ø (mm)	a (mm)	Installation dimension				Weight (kg)	Sludge trap (l)	Water and grease		Grease storage (l)	Total (l)
			l × b (mm)	b1 (mm)	h1 (mm)	h2 (mm)			(l)	(l)		
2	110	1500	1735 × 680	860	985	1055	1435	145	200	400	100	600
3	110	1500	1735 × 680	860	985	1055	1435	150	300	300	120	600
4	110	1880	2115 × 680	860	985	1055	1435	163	400	400	160	800
7	160	1910	2145 × 940	1130	1185	1255	1655	211	700	650	280	1350
10	160	2590	2820 × 940	1130	1185	1255	1655	257	1000	900	400	1900

Ø = Outer diameter b1 = Set-up dimensions



Grease separator *EasyClean* free Mix NS 15 – 50

for free-standing installation



EN 1825

Tank

Manufactured from virgin, non-recycled polyethylene, for free-standing installation in frost-protected areas, with integrated sludge trap and sloped base for fast and clean disposal, with two domed covers made of polymer, with quick-release closures, sealed odour-tight, with suction device installed for the joint disposal of contents of sludge trap and grease separator chamber, intake pipe 75 mm OD PN 10 in accordance with DIN 2501, Storz-B coupling R 2 1/2 for connection to the disposal vehicle. Inlet and outlet \varnothing 200 / 250 mm for the connection to PE-HD pipes according to DIN 19537, HT pipes according to DIN 19560, PP or AS.

Disposal System

Mix with direct disposal and Shredder-Mix-System, KESSEL Shredder-Mix-System with mixing and rinsing via jet and conic nozzles, external pump(s), with integrated chopping mechanism and closure valve, pumping capacity 3.0 kW (stronger pumps available on request), 5 m cable length, refill inlet in accordance with DIN 1988, R 1 connection.

Switch Unit for actuating the pump.

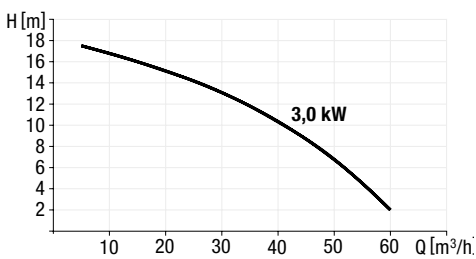
Delivery: System completely assembled.

➤ **Accessories:** Sampling chamber, inspection window, *SonicControl* level sensing system pages 41

➤ **Technical note:** page 40

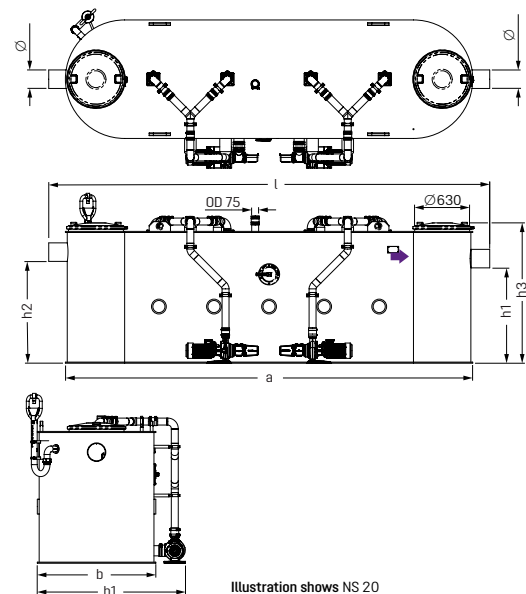
➤ **Note:** Also available in 60 Hz / 400 V

Pumping capacity



without *SonicControl*

NS	Art. no.
NS 15	93 015-06-DS
NS 20	93 020-06-DS
NS 25	93 025-06-DS
NS 30	93 030-06-DS
NS 35	93 035.01/DS
NS 40	93 040.01/DS
NS 50	93 050.01/DS



NS	\varnothing (mm)	a (mm)	Installation dimension l × b (mm)	b1 (mm)	h1 (mm)	h2 (mm)	h3 (mm)	Sludge trap (l)	Water and grease (l)	Grease storage (l)	Total (l)
15	200	3400	3755 × 1280	1600	1130	1200	1625	1500	2020	600	3520
20	200	4400	4760 × 1280	1600	1030	1100	1625	2000	2230	800	4230
25	200	4780	5140 × 1280	1600	1030	1100	1625	2500	2050	1000	4550
30	250	4700	5160 × 1280	1600	1170	1240	1625	3000	2250	1200	5250
35	250	6000	6480 × 1500	1770	1130	1200	1662	3500	4500	1400	8000
40	250	6200	6680 × 1600	1870	1130	1200	1662	4000	5000	1600	9000
50	250	6200	6680 × 1800	2070	1350	1420	1882	5000	6200	2240	11200

\varnothing = Outer diameter b1 = Set-up dimensions



Grease separators *EasyClean* free Direct NS 2 – 10 for free-standing installation



EN 1825

Tank

Manufactured from virgin, non-recycled polyethylene, for free standing installation in frost protected areas, with integrated sludge trap, sloped interior base improves cleaning and reduces disposal time, inlet flow calming system and outlet flow regulation device, inlet and outlet interchangeable, slanted twin access covers with quick release odour tight snap closures, 75 mm OD PN 10 pressure disposal pipe, with integrated fork lift grips at base of separator, low weight - compact design, 100% corrosion free polyethylene body construction (20 year warranty).

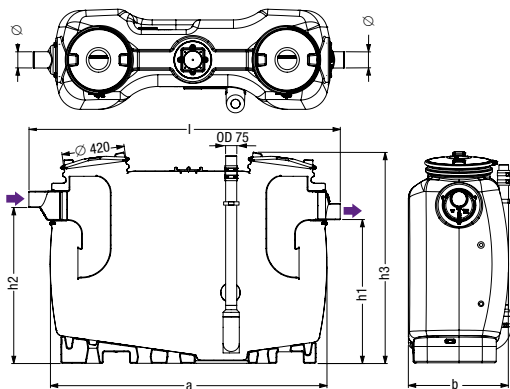
Disposal System

Direct version with factory installed pressure pipe suction outlet - requires disposal truck with vacuum system for separator disposal, disposal is completely odour free.

Delivery: System completely assembled.

➤ **Accessories:** Sampling chamber, inspection window, refill inlet pages 41

➤ **Technical note:** page 40



without SonicControl *with SonicControl*

NS	Art. no.	Art. no.
Without accessories		
NS 2	93 002.01/D	93 002.02/D
NS 3	93 003.01/D	93 003.02/D
NS 4	93 004.01/D	93 004.02/D
NS 7	93 007.01/D	93 007.02/D
NS 10	93 010.01/D	93 010.02/D

With inspection window		
NS 2	93 002.21/D	93 002.22/D
NS 3	93 003.21/D	93 003.22/D
NS 4	93 004.21/D	93 004.22/D
NS 7	93 007.21/D	93 007.22/D
NS 10	93 010.21/D	93 010.22/D

With refill inlet		
NS 2	93 002.11/D	93 002.12/D
NS 3	93 003.11/D	93 003.12/D
NS 4	93 004.11/D	93 004.12/D
NS 7	93 007.11/D	93 007.12/D
NS 10	93 010.11/D	93 010.12/D

With inspection window and refill inlet		
NS 2	93 002.31/D	93 002.32/D
NS 3	93 003.31/D	93 003.32/D
NS 4	93 004.31/D	93 004.32/D
NS 7	93 007.31/D	93 007.32/D
NS 10	93 010.31/D	93 010.32/D

NS	Ø (mm)	a (mm)	Installation dimension l × b (mm)	h1 (mm)	h2 (mm)	h3 (mm)	Weight (kg)	Sludge trap (l)	Water and grease (l)	Grease storage (l)	Total (l)
2	110	1500	1735 × 680	985	1055	1435	69	200	400	100	600
3	110	1500	1735 × 680	985	1055	1435	74	300	300	120	600
4	110	1880	2115 × 680	985	1055	1435	87	400	400	160	800
7	160	1910	2145 × 940	1185	1255	1655	135	700	650	280	1350
10	160	2590	2820 × 940	1185	1255	1655	181	1000	900	400	1900

Ø = Outer diameter b1 = Set-up dimensions



Grease separator *EasyClean* free Direct NS 15 – 50

for free-standing installation



EN 1825

Tank

Manufactured from virgin, non-recycled polyethylene, for free-standing installation in frost-protected areas, with integrated sludge trap and sloped base for fast and clean disposal, with two domed covers made of polymer, with quick-release closures, sealed odour-tight, with suction device installed for the joint disposal of contents of sludge trap and grease separator chamber, intake pipe 75 mm OD PN 10 in accordance with DIN 2501, Storz-B coupling R 2 1/2 for connection to the disposal vehicle. Inlet and outlet \varnothing 200 / 250 mm for the connection to PE-HD pipes according to DIN 19537, HT pipes according to DIN 19560, PP or AS.

Disposal System

Direct version with factory installed pressure pipe suction outlet - requires disposal truck with vacuum system for separator disposal, disposal is completely odour free.

Delivery: System completely assembled.

➤ **Accessories:** Inspection window and refill inlet, sampling chamber pages 41

➤ **Technical note:** page 40



without *SonicControl*

NS	Art. no.
Without accessories	
NS 15	93 015-06-D
NS 20	93 020-06-D
NS 25	93 025-06-D
NS 30	93 030-06-D
NS 35	93 035.01/D
NS 40	93 040.01/D
NS 50	93 050.01/D

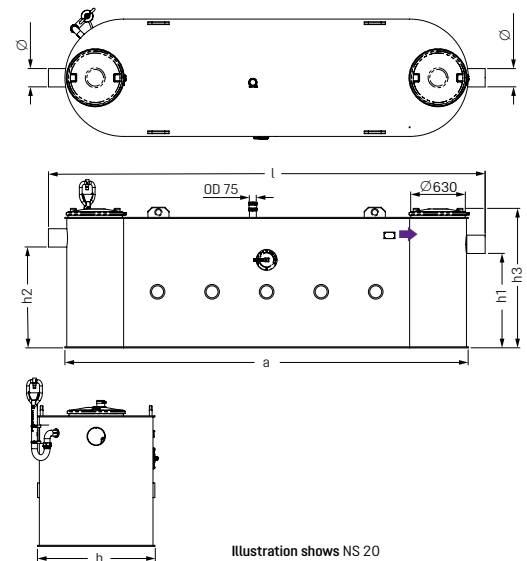


Illustration shows NS 20

NS	\varnothing (mm)	a (mm)	Installation dimension l × b (mm)	h1 (mm)	h2 (mm)	h3 (mm)	Sludge trap (l)	Water and grease (l)	Grease storage (l)	Total (l)
15	200	3400	3755 × 1280	1130	1200	1625	1500	2020	600	3520
20	200	4400	4760 × 1280	1030	1100	1625	2000	2230	800	4230
25	200	4780	5140 × 1280	1030	1100	1625	2500	2050	1000	4550
30	250	4700	5160 × 1280	1170	1240	1625	3000	2250	1200	5250
35	250	6000	6480 × 1500	1130	1200	1662	3500	4500	1400	8000
40	250	6200	6680 × 1600	1130	1200	1662	4000	5000	1600	9000
50	250	6200	6680 × 1800	1350	1420	1882	5000	6200	2240	11200

\varnothing = Outer diameter



Grease separators *EasyClean* free Standard NS 2 – 10 for free-standing installation



EN 1825

Tank

Manufactured from virgin, non-recycled polyethylene, for free standing installation in frost protected areas, with integrated sludge trap, sloped interior base improves cleaning and reduces disposal time, inlet flow calming system and outlet flow regulation device, inlet and outlet interchangeable, slanted twin access covers with quick release odour tight snap closures, integrated fork lift grips at base of separator, 100% corrosion free polyethylene body construction (20 year warranty).

Disposal System

Standard version requires disposal truck with vacuum system for separator disposal.

Delivery: System completely assembled.

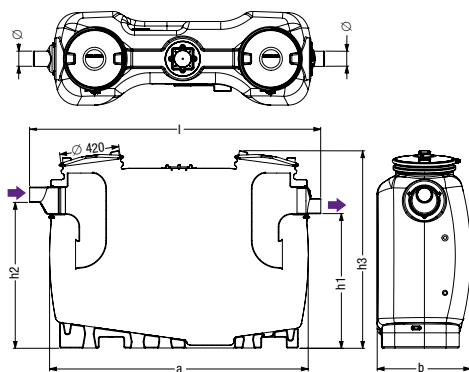
➤ **Accessories:** Sampling chamber, inspection window, refill inlet pages 41

➤ **Technical note:** page 40



without SonicControl *with SonicControl*

NS	Art. no.	Art. no.
<i>Without accessories</i>		
NS 2	93 002.01	93 002.02
NS 3	93 003.01	93 003.02
NS 4	93 004.01	93 004.02
NS 7	93 007.01	93 007.02
NS 10	93 010.01	93 010.02
<i>With inspection window</i>		
NS 2	93 002.21	93 002.22
NS 3	93 003.21	93 003.22
NS 4	93 004.21	93 004.22
NS 7	93 007.21	93 007.22
NS 10	93 010.21	93 010.22
<i>With refill inlet</i>		
NS 2	93 002.11	93 002.12
NS 3	93 003.11	93 003.12
NS 4	93 004.11	93 004.12
NS 7	93 007.11	93 007.12
NS 10	93 010.11	93 010.12
<i>With inspection window and refill inlet</i>		
NS 2	93 002.31	93 002.32
NS 3	93 003.31	93 003.32
NS 4	93 004.31	93 004.32
NS 7	93 007.31	93 007.32
NS 10	93 010.31	93 010.32



NS	Ø (mm)	a (mm)	Installation dimension			Weight (kg)	Sludge trap (l)	Water and grease		Grease storage (l)	Total (l)
			l × b (mm)	h1 (mm)	h2 (mm)			h3 (mm)	(l)		
2	110	1500	1735 × 680	985	1055	1435	69	200	400	100	600
3	110	1500	1735 × 680	985	1055	1435	74	300	300	120	600
4	110	1880	2115 × 680	985	1055	1435	87	400	400	160	800
7	160	1910	2145 × 940	1185	1255	1655	135	700	650	280	1350
10	160	2590	2820 × 940	1185	1255	1655	181	1000	900	400	1900

Ø = Outer diameter b1 = Set-up dimensions



Grease separator *EasyClean* free Standard NS 15 – 50

for free-standing installation



EN 1825

Tank

Manufactured from virgin, non-recycled polyethylene, for free-standing installation in frost-protected areas, with integrated sludge trap, two domed covers made of polymer, with quick-release closure, sealed odour-tight. Inlet and outlet \varnothing 200 / 250 mm for the connection to PE-HD pipes according to DIN 19537, HT pipes according to DIN 19560, PP or AS.

Disposal System

Standard version requires disposal truck with vacuum system for separator disposal.

Delivery: System completely assembled.

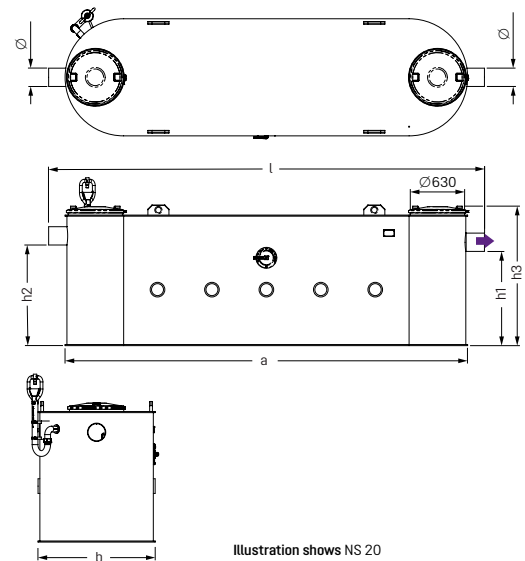
➤ **Accessories:** Inspection window and refill inlet, sampling chamber pages 41

➤ **Technical note:** page 40



without *SonicControl*

NS	Art. no.
Without accessories	
NS 15	93 015-06
NS 20	93 020-06
NS 25	93 025-06
NS 30	93 030-06
NS 35	93 035.01
NS 40	93 040.01
NS 50	93 050.01



NS	\varnothing (mm)	a (mm)	Installation dimension l × b (mm)	h1 (mm)	h2 (mm)	h3 (mm)	Sludge trap (l)	Water and grease (l)	Grease storage (l)	Total (l)
15	200	3400	3755 × 1280	1130	1200	1625	1500	2020	600	3520
20	200	4400	4760 × 1280	1030	1100	1625	2000	2230	800	4230
25	200	4780	5140 × 1280	1030	1100	1625	2500	2050	1000	4550
30	250	4700	5160 × 1280	1170	1240	1625	3000	2250	1200	5250
35	250	6000	6480 × 1500	1130	1200	1662	3500	4500	1400	8000
40	250	6200	6680 × 1600	1130	1200	1662	4000	5000	1600	9000
50	250	6200	6680 × 1800	1350	1420	1882	5000	6200	2240	11200

\varnothing = Outer diameter



Grease separators *EasyClean* free round

The round solution for exposed installation.

Large volumes need space – however, this is limited in many properties. The free-standing EasyClean free round grease separator is ideal for small basement rooms: It requires only a small installation space and provides the necessary volume through its height. The EasyClean free round is available in nominal sizes NS 10, NS 15 and NS 20. In addition, we also offer individual solutions for specific requirements and installation situations.

Grease separators must be completely emptied on a regular basis to dispose of the retained waste materials. To this end, we offer our grease separator models with different disposal variants. The options range from the normal opening of the tank to a fully-automatic disposal system.



- 1 Properly sized lifting station
- 2 Grease separator
- 3 Connected drainage fixtures

EasyClean free round

Article numbers • Data sheets
Accessories • Spareparts
Videos • Download • BIM

www.kessel.com/easyclean-free-round

Different disposal options

Auto Mix & Pump

Mix & Pump

Auto Mix

Mix

Direct

Standard

Control unit

with multilingual (EN, DE, FR, IT, PL, NL) digital display for operating state and servicing instructions as well as connection option for building management system.

Refill unit

Hot water for cleaning and cold water for refilling the separator after disposal.



Shredder-Mix-System

serves to mix and clean the tank contents without odor emission during disposal. 13-steps fully automated disposal (adjustable steps to meet site requirements)



Warranty

KESSEL offers a factory extended warranty of 20 years on the polyethylene grease separator tanks.

SonicControl

for the measurement, display and control of the grease layer thickness in a grease separator.



Grease separator *EasyClean* round free Auto Mix & Pump NS 10 – 20

for free-standing installation



EN 1825

Tank

Manufactured from virgin, non-recycled polyethylene, for free-standing installation in frost-protected areas, with integrated sludge trap, with integrated sloped base directing wastewater into mixing / disposal pump, twin access covers with quick-release odour tight covers, with suction device installed for the joint disposal of contents of sludge trap and grease separator chamber, intake pipe 75 mm OD PN 10 in accordance with DIN 2501, Storz-B coupling R 2 1/2 for connection to the disposal vehicle. Inspection window with wiper. Inlet and outlet Ø 160 / 200 mm for the connection to PE-HD pipes according to DIN 19537, HT pipes according to DIN 19560, PP or AS.

Disposal System

Auto Mix & Pump with program-controlled disposal and rinsing device and Shredder-Mix-System, KESSEL disposal system Auto Mix & Pump with switching distribution and actuator valve, mixing and rinsing device via jet and conic nozzles, external pump(s) 3.0 kW (IP55, 400 V, 50 Hz; stronger pumps available on request) with integrated chopping mechanism and closure valve, 5 m cable length, 2 solenoid valves 1", with refill inlet in accordance with DIN 1988.

Control Unit for actuating the pump(s) with potential-free contact and Modbus.

Delivery: System completely assembled.

➤ **Accessories:** Sampling chamber, remote control, *TeleControl*, *SonicControl* level sensing system page 41

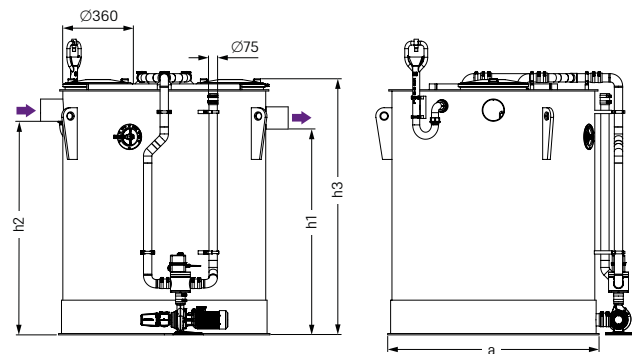
➤ **Technical note:** page 40

➤ **Note:** Also available in 60 Hz / 400 V

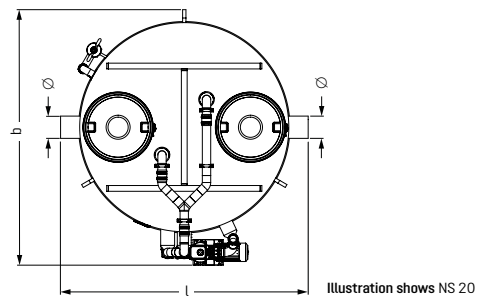
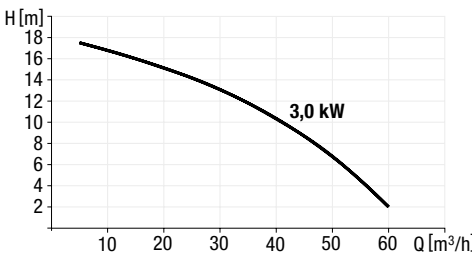


without *SonicControl*

NS	Art. no.
NS 10	93 010.05/PVS
NS 15	93 015.05/PVS
NS 20	93 020.05/PVS



Pumping capacity



NS	Ø (mm)	a (mm)	Installation dimension l × b (mm)	h1 (mm)	h2 (mm)	h3 (mm)	Sludge trap (l)	Water and grease (l)	Grease storage (l)	Total (l)
10	160	1570	1900 × 1915	1500	1570	1910	1000	1500	400	2500
15	200	1880	2230 × 2300	1550	1620	2020	1500	2300	600	3800
20	200	1880	2230 × 2300	1850	1920	2300	2000	2650	800	4650



Ø = Outer diameter

Grease separator *EasyClean* round free Mix & Pump NS 10– 20

for free-standing installation



EN 1825

Tank

Manufactured from virgin, non-recycled polyethylene, for free-standing installation in frost-protected areas, with integrated sludge trap, with integrated sloped base directing wastewater into mixing / disposal pump, twin access covers with quick-release odour tight covers, with suction device installed for the joint disposal of contents of sludge trap and grease separator chamber, intake pipe 75 mm OD PN 10 in accordance with DIN 2501, Storz-B coupling R 2 1/2 for connection to the disposal vehicle. Inspection window with wiper. Inlet and outlet Ø 160 / 200 mm for the connection to PE-HD pipes according to DIN 19537, HT pipes according to DIN 19560, PP or AS.



Disposal System

Mix & Pump with manual disposal and rinsing device and Shredder-Mix-System, KESSEL disposal system Mix & Pump with switching distribution, mixing and rinsing device via jet and conic nozzles, external pump(s), with integrated chopping mechanism and closure valve, pumping capacity 3.0 kW (stronger pumps available on request), 5 m cable length, refill inlet in accordance with DIN 1988.

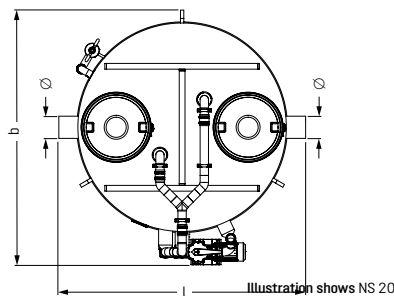
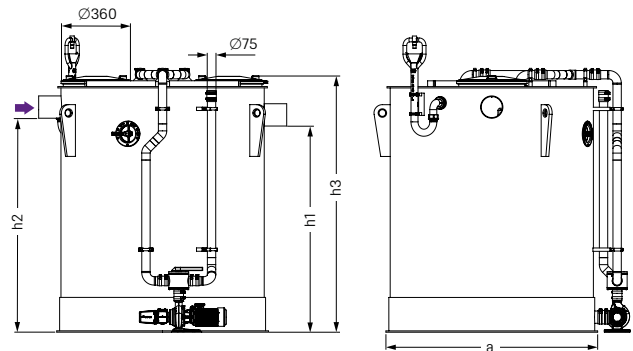
Control Unit for actuating the pump(s).

Delivery: System completely assembled.

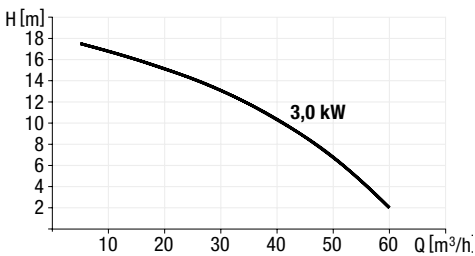
- **Accessories:** Sampling chamber, *SonicControl* level sensing system page 41
- **Technical note:** page 40
- **Note:** Also available in 60 Hz / 400 V

without SonicControl

NS	Art. no.
NS 10	93 010.05/MS
NS 15	93 015.05/MS
NS 20	93 020.05/MS



Pumping capacity



NS	Ø (mm)	a (mm)	Installation dimension l × b (mm)	h1 (mm)	h2 (mm)	h3 (mm)	Sludge trap (l)	Water and grease (l)	Grease storage (l)	Total (l)
10	160	1570	1900 × 1915	1500	1570	1910	1000	1500	400	2500
15	200	1880	2230 × 2300	1550	1620	2020	1500	2300	600	3800
20	200	1880	2230 × 2300	1850	1920	2300	2000	2650	800	4650



Ø = Outer diameter

Grease separator *EasyClean* round free Auto Mix NS 10 – 20

for free-standing installation



EN 1825

Tank

Manufactured from virgin, non-recycled polyethylene, for free-standing installation in frost-protected areas, with integrated sludge trap, with integrated sloped base directing wastewater into mixing / disposal pump, twin access covers with quick-release odour tight covers, with suction device installed for the joint disposal of contents of sludge trap and grease separator chamber, intake pipe 75 mm OD PN 10 in accordance with DIN 2501, Storz-B coupling R 2 1/2 for connection to the disposal vehicle.

2 solenoid valves 1", viewing window with wiper, inspection window with wiper. Inlet and outlet Ø 160 / 200 mm for the connection to PE-HD pipes according to DIN 19537, HT pipes according to DIN 19560, PP or AS.

Disposal System

Auto Mix with direct disposal and Shredder-Mix-System, KESSEL Shredder-Mix-System with mixing and rinsing via jet and conic nozzles, external pump(s), with integrated chopping mechanism and closure valve, pumping capacity 3.0 kW (stronger pumps available on request), 5 m cable length, refill inlet in accordance with DIN 1988, R 1 connection.

Control Unit for actuating the pump(s) and the solenoid valves.

Delivery: System completely assembled.

➤ **Accessories:** Sampling chamber, remote control, *TeleControl*, *SonicControl* level sensing system page 41

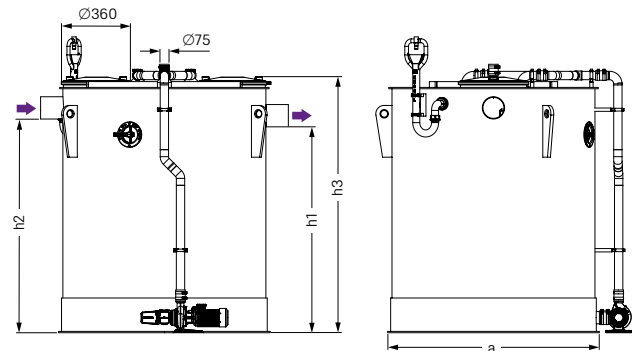
➤ **Technical note:** page 40

➤ **Note:** Also available in 60 Hz / 400 V



without *SonicControl*

NS	Art. no.
NS 10	93 010.05/DSP
NS 15	93 015.05/DSP
NS 20	93 020.05/DSP



Pumping capacity

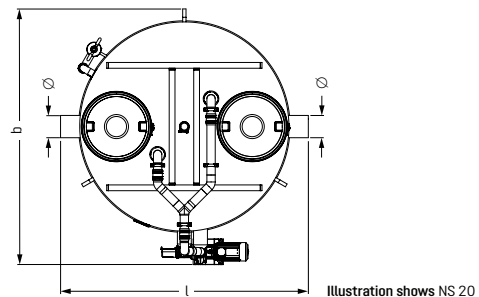
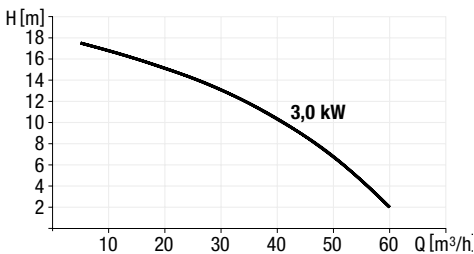


Illustration shows NS 20

NS	Ø (mm)	a (mm)	Installation dimension l × b (mm)	h1 (mm)	h2 (mm)	h3 (mm)	Sludge trap (l)	Water and grease (l)	Grease storage (l)	Total (l)
10	160	1570	1900 × 1915	1500	1570	1910	1000	1500	400	2500
15	200	1880	2230 × 2300	1550	1620	2020	1500	2300	600	3800
20	200	1880	2230 × 2300	1850	1920	2300	2000	2650	800	4650

Ø = Outer diameter



Grease separator *EasyClean* round free Mix NS 10 – 20

for free-standing installation



EN 1825

Tank

Manufactured from virgin, non-recycled polyethylene, for free-standing installation in frost-protected areas, with integrated sludge trap, with integrated sloped base directing wastewater into mixing / disposal pump, twin access covers with quick-release odour tight covers, with suction device installed for the joint disposal of contents of sludge trap and grease separator chamber, intake pipe 75 mm OD PN 10 in accordance with DIN 2501, Storz-B coupling R 2 1/2 for connection to the disposal vehicle. Inlet and outlet Ø 160 / 200 mm for the connection to PE-HD pipes according to DIN 19537, HT pipes according to DIN 19560, PP or AS.

Disposal System

Mix with direct disposal and Shredder-Mix-System, KESSEL Shredder-Mix-System with mixing and rinsing via jet and conic nozzles, external pump(s), with integrated chopping mechanism and closure valve, pumping capacity 3.0 kW (stronger pumps available on request), 5 m cable length, refill inlet in accordance with DIN 1988, R 1 connection.

Control Unit for actuating the pump.

Delivery: System completely assembled.

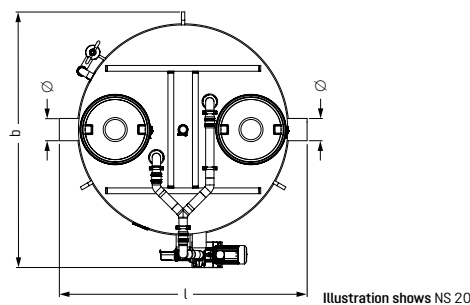
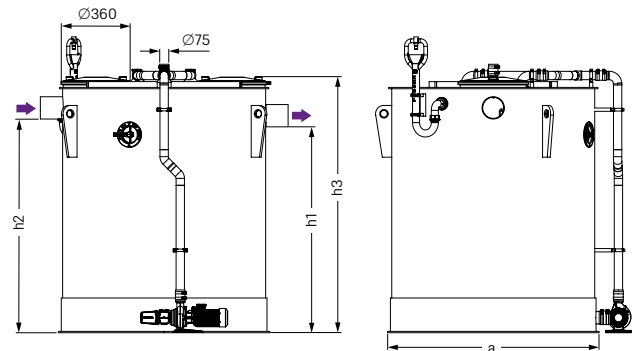
➤ **Accessories:** Sampling chamber, inspection window, *SonicControl* level sensing system page 41

➤ **Note:** Also available in 60 Hz / 400 V

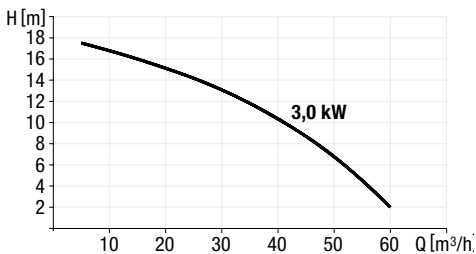


without *SonicControl*

NS	Art. no.
NS 10	93 010.05/DS
NS 15	93 015.05/DS
NS 20	93 020.05/DS



Pumping capacity



NS	Ø (mm)	a (mm)	Installation dimension l × b (mm)	h1 (mm)	h2 (mm)	h3 (mm)	Sludge trap (l)	Water and grease (l)	Grease storage (l)	Total (l)
10	160	1570	1900 × 1915	1500	1570	1910	1000	1500	400	2500
15	200	1880	2230 × 2300	1550	1620	2020	1500	2300	600	3800
20	200	1880	2230 × 2300	1850	1920	2300	2000	2650	800	4650

Ø = Outer diameter



Grease separator *EasyClean* round free Direct NS 10 – 20 for free-standing installation



EN 1825

Tank

Manufactured from virgin, non-recycled polyethylene, for free-standing installation in frost-protected areas, with integrated sludge trap, with integrated sloped base directing wastewater into mixing / disposal pump, twin access covers with quick-release odour tight covers, with suction device installed for the joint disposal of contents of sludge trap and grease separator chamber, intake pipe 75 mm OD PN 10 in accordance with DIN 2501, Storz-B coupling R 2 1/2 for connection to the disposal vehicle. Inlet and outlet \varnothing 160 / 200 mm for the connection to PE-HD pipes according to DIN 19537, HT pipes according to DIN 19560, PP or AS.

Disposal System

Direct version with factory installed pressure pipe suction outlet - requires disposal truck with vacuum system for separator disposal, disposal is completely odour free.

Delivery: System completely assembled.

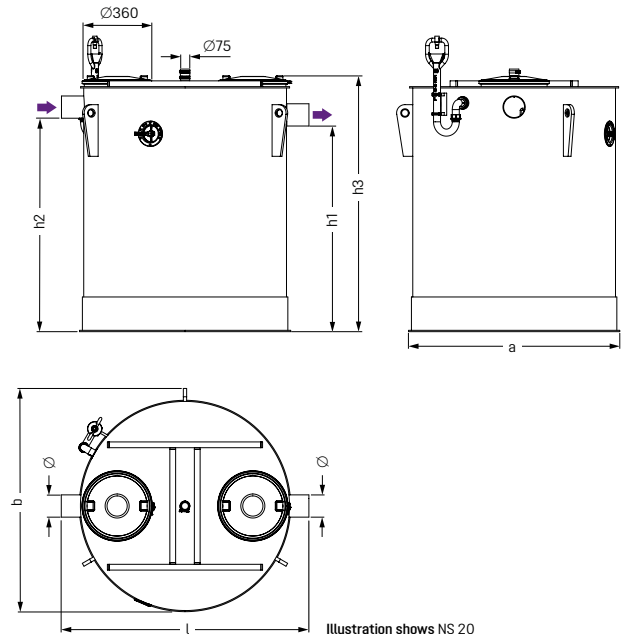
➤ **Accessories:** Inspection window and refill inlet, sampling chamber pages 41

➤ **Technical note:** page 40



without *SonicControl*

NS	Art. no.
Without accessories	
NS 10	93 010.05/D
NS 15	93 015.05/D
NS 20	93 020.05/D



NS	Ø (mm)	a (mm)	Installation dimension l × b (mm)	h1 (mm)	h2 (mm)	h3 (mm)	Sludge trap (l)	Water and grease (l)	Grease storage (l)	Total (l)
10	160	1570	1900 × 1690	1500	1570	1910	1000	1500	400	2500
15	200	1880	2230 × 1922	1550	1620	2020	1500	2300	600	3800
20	200	1880	2230 × 1922	1850	1920	2300	2000	2650	800	4650

Ø = Outer diameter



Grease separator *EasyClean* round free Standard NS 10 – 20

for free-standing installation



EN 1825

Tank

Manufactured from virgin, non-recycled polyethylene, for free-standing installation in frost-protected areas, with integrated sludge trap, two domed covers made of polymer, with quick-release closure, sealed odour-tight. Inlet and outlet \varnothing 160 / 200 mm for the connection to PE-HD pipes according to DIN 19537, HT pipes according to DIN 19560, PP or AS.

Disposal System

Standard version requires disposal truck with vacuum system for separator disposal.

Delivery: System completely assembled.

➤ **Accessories:** Inspection window and refill inlet, sampling chamber pages 41

➤ **Technical note:** page 40



without *SonicControl*

NS	Art. no.
Without accessories	
NS 10	93 010.05
NS 15	93 015.05
NS 20	93 020.05

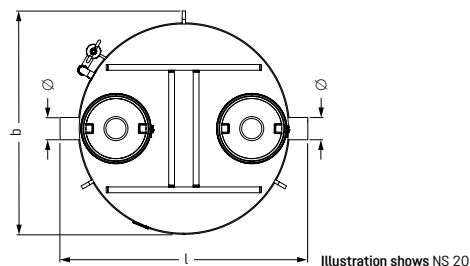
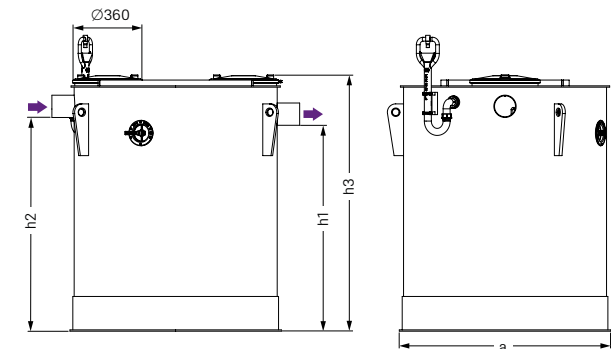


Illustration shows NS 20

NS	\varnothing (mm)	a (mm)	Installation dimension l × b (mm)	h1 (mm)	h2 (mm)	h3 (mm)	Sludge trap (l)	Water and grease (l)	Grease storage (l)	Total (l)
10	160	1570	1900 × 1690	1500	1570	1910	1000	1500	400	2500
15	200	1880	2230 × 1922	1550	1620	2020	1500	2300	600	3800
20	200	1880	2230 × 1922	1850	1920	2300	2000	2650	800	4650

\varnothing = Outer diameter



Grease separator *EasyClean* free Basic

The economic solution for wastewater treatment in kitchens

The *EasyClean* free Basic grease separator is the latest model in our quality separator series. It has been developed to satisfy all of the requirements of modern wastewater technology at a market entry price level.

The result is a separator made of durable polyethylene, which is still working reliably even decades after its installation. It is available with two disposal options. In addition to the standard version, there is a Direct version, which has a convenient direct disposal connection. With the help of this, the disposal of the

separator content can be done completely odourless over a permanently installed disposal line. Both versions can be ordered with practical accessories, such as a inspection window or a refill inlet, and thus adapt perfectly to the requirements on site.

The *EasyClean* free Basic is the new standard and **economic solution** for wastewater treatment in kitchens and food processing facilities.

Made in Germany! Made by KESSEL!

Different disposal options

Direct



1 Grease separator *EasyClean* free Basic Direct 2 Odorless discharge is via a permanently installed discharge line 3 Refill inlet 4 Inspection window 5 Sampling chamber 6 Lifting station

Standard



1 Grease separator *EasyClean* free Basic Standard 2 Emptying takes place by opening the separator 3 Refill inlet 4 Inspection window 5 Sampling chamber 6 Lifting station

EasyClean free Basic
 Article numbers • Data sheets
 Accessories • Spareparts
 Videos • Download • BIM

www.kessel.com/easyclean-free-basic



Quick release access covers

Slanted twin access covers with quick release odour tight snap closures for quick and easy maintenance and cleaning.

Direct disposal

Enables the extraction of the grease separator contents through a permanently installed odour free disposal pipe without opening the tank covers (Direct version).



100 % corrosion free polyethylene body

The polyethylene material used is resistant to aggressive fatty acids – and therefore particularly durable. In addition to the statutory provision, we provide a 20-year warranty with regard to the leak tightness and structural safety of tanks and upper sections.

Perfect cleaning results

Integrated sloped base allows wastewater to flow with gravity directly to the suction intake – saving time and disposal costs.

Grease separators *EasyClean* free Basic Direct NS 2 – 10

for free-standing installation



EN 1825 Z-54.1-474

- Service side ... (left/right)
- Inspection window (with/without)
- Refill inlet (with/without)

The separator for grease contaminated wastewater is suitable for free-standing installation in frost protected areas and contains no metal parts in the chamber. The separator chamber made of resistant polymer (PE) includes an integrated sludge trap. Two odour-tight covers with quick-release closures allow easy access for cleaning and maintenance tasks. For odour-reducing manual disposal, with factory installed pressure pipe suction outlet. After disposal, only approx. 3 L of residual sludge volume remains in the tank.

Warranty for polyethylene material: 20 years

Standard: EN 1825

Connection of inlet/outlet fittings: PE-HD pipes according to DIN 19537, HT pipes according to DIN 19560 (PP or AS piping)

Disposal connection DN(OD): 65 (75 mm) PN10

Delivery: System completely assembled.

- ↗ **Accessories:** Sampling chamber page 41
- ↗ **Technical note:** page 40

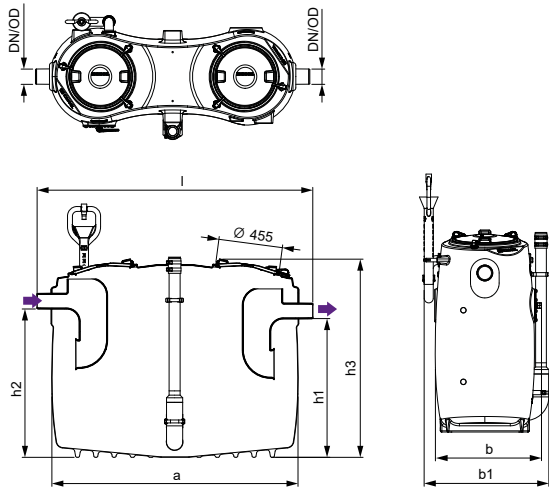


Illustration shows Art. no. 94 004.32DR

NS	Direction of flow "left"	Direction of flow "right"
	Art. no.	Art. no.
<i>Without accessories</i>		
NS 2	94 002.10DL	94 002.10DR
NS 4	94 004.10DL	94 004.10DR
NS 7	94 007.10DL	94 007.10DR
NS 10	94 010.10DL	94 010.10DR
<i>With inspection window</i>		
NS 2	94 002.21DL	94 002.21DR
NS 4	94 004.21DL	94 004.21DR
NS 7	94 007.21DL	94 007.21DR
NS 10	94 010.21DL	94 010.21DR
<i>With refill inlet</i>		
NS 2	94 002.12DL	94 002.12DR
NS 4	94 004.12DL	94 004.12DR
NS 7	94 007.12DL	94 007.12DR
NS 10	94 010.12DL	94 010.12DR
<i>With inspection window and refill inlet</i>		
NS 2	94 002.32DL	94 002.32DR
NS 4	94 004.32DL	94 004.32DR
NS 7	94 007.32DL	94 007.32DR
NS 10	94 010.32DL	94 010.32DR

NS	Outer diameter Ø (mm)	Installation dimension l × b (mm)	b1 (mm)	h1 (mm)	h2 (mm)	h3 (mm)	Weight (kg)	Sludge trap (l)	Water and grease (l)	Grease storage (l)	Total (l)
2	110	1560 × 700	920	985	1055	1420	85	200	460	80	660
4	110	1960 × 700	905	985	1055	1420	105	400	420	160	820
7	160	1960 × 920	1140	1185	1255	1670	155	700	670	280	1370
10	160	2610 × 920	1120	1185	1255	1670	175	1000	880	400	1880

Ø = Outer diameter b1 = Set-up dimensions

Grease separators *EasyClean* free Basic Standard NS 2 – 10

for free-standing installation



EN 1825 Z-54.1-474

- Service side ... (left/right)
- Inspection window (with/without)
- Refill inlet (with/without)

The separator for grease contaminated wastewater is suitable for free-standing installation in frost protected areas and contains no metal parts in the chamber. The separator chamber made of resistant polymer (PE) includes an integrated sludge trap. Two odour-tight covers with quick-release closures allow easy access for cleaning and maintenance tasks. Requires disposal truck with vacuum system. The tank cover is opened during manual disposal.

Warranty for polyethylene material: 20 years

Standard: EN 1825

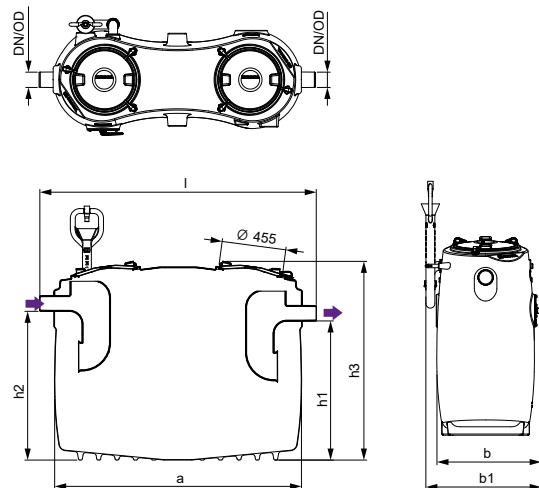
Connection of inlet/outlet fittings: PE-HD pipes according to DIN 19537, HT pipe according to DIN 19560 (PP or AS piping)

Delivery: System completely assembled.

- **Accessories:** Sampling chamber page 41
- **Technical note:** page 40



Illustration shows Art. no. 94 004.32R



	Direction of flow "left"	Direction of flow "right"
NS	Art. no.	Art. no.
<i>Without accessories</i>		
NS 2	94 002.10	94 002.10
NS 4	94 004.10	94 004.10
NS 7	94 007.10	94 007.10
NS 10	94 010.10	94 010.10
<i>With inspection window</i>		
NS 2	94 002.21L	94 002.21R
NS 4	94 004.21L	94 004.21R
NS 7	94 007.21L	94 007.21R
NS 10	94 010.21L	94 010.21R
<i>With refill inlet</i>		
NS 2	94 002.12L	94 002.12R
NS 4	94 004.12L	94 004.12R
NS 7	94 007.12L	94 007.12R
NS 10	94 010.12L	94 010.12R
<i>With inspection window and refill inlet</i>		
NS 2	94 002.32L	94 002.32R
NS 4	94 004.32L	94 004.32R
NS 7	94 007.32L	94 007.32R
NS 10	94 010.32L	94 010.32R

NS	Outer diameter Ø (mm)	Installation dimension l × b (mm)	b1 (mm)	h1 (mm)	h2 (mm)	h3 (mm)	Weight (kg)	Sludge trap (l)	Water and grease (l)	Grease storage (l)	Total (l)
2	110	1560 × 700	850	985	1055	1420	80	200	460	80	660
4	110	1960 × 700	850	985	1055	1420	100	400	420	160	820
7	160	1960 × 920	1080	1185	1255	1670	150	700	670	280	1370
10	160	2610 × 920	1080	1185	1255	1670	170	1000	880	400	1880

Ø = Outer diameter b1 = Set-up dimensions

Grease separators

EasyClean Modular

The flexible solution for limited access / narrow entry.

The *EasyClean* Modular combines the advantages of the *EasyClean* free with maximum transportability. It is the ideal grease separator for extremely narrow entranceways that can make it difficult to transport a standard grease separator to the set-up location. This grease separator can be disassembled into small individual components and assembled at the set-up location.

Always the right choice:

kessel.com/smartselect

Different disposal options

Standard

Direct

EasyClean free Modular

Article numbers • Data sheets
Accessories • Spareparts
Videos • Download • BIM



[www.kessel.com/
easyclean-free-modular](https://www.kessel.com/easyclean-free-modular)



1 Lifting Station 2 Assembled grease separator 3 Direct disposal connection

Grease separator *EasyClean Modular* Standard and Direct NS 1 – 4

for free-standing installation, two component version



EN 1825

Made of polyethylene PE-HD

Installation: In frost-protected rooms

Version: Can be disassembled

Delivery: System completely assembled (only NS 1)

Note for NS 1: The separated grease must be skimmed off daily in the case of weekly emptying and cleaning.

Custom made product: Delivery time on request

➤ **Accessories for NS 2 / NS 3 / NS 4:** Sampling chamber, refill inlet, inspection window, *SonicControl* from page 41



Illustration shows Art. no. 93 001



Illustration shows Art. no. 93 002-R

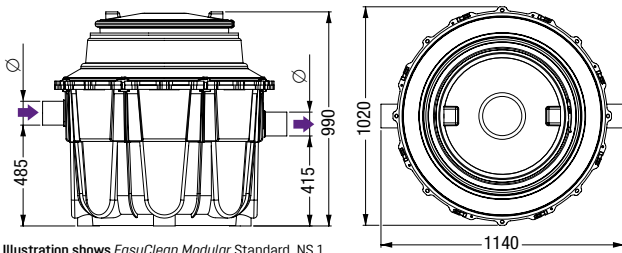


Illustration shows *EasyClean Modular* Standard, NS 1

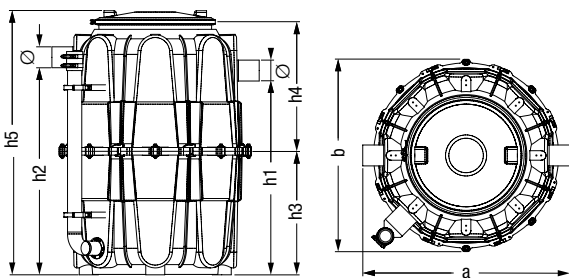


Illustration shows *EasyClean Modular* Direct, NS 3

EasyClean Modular Standard

NS	Art. no.
NS 1	93 001
NS 2	93 002-R
NS 3	93 003-R
NS 4	93 004-R

EasyClean Modular Direct with direct disposal

NS	Art. no.
NS 2	93 002.00/D1-R
NS 3	93 003.00/D1-R
NS 4	93 004.00/D1-R

NS	Ø (mm)	a (mm)	b (mm)	h1 (mm)	h2 (mm)	h3 (mm)	h4 (mm)	h5 (mm)	Weight (kg)	Sludge trap (l)	Water and grease (l)	Grease storage (l)	Total (l)
1	110								65	100	100	40	200
2	110	1100	1020	1020	1090	650	690	1395	60	200	400	100	600
3	110	1100	1020	1020	1090	650	690	1395	60	300	300	120	600
4	110	1400	1300	1090	1160	765	790	1620	110	400	560	160	960

Ø = Outer diameter h4 × b = access opening

Grease separator *EasyClean Modular* Standard and Direct NS 1 – 4 for free-standing installation, three component version



Made of polyethylene PE-HD

Installation: In frost-protected rooms

Version: Standard or with direct disposal
(only *EasyClean Modular* Direct)

Consisting of: Integrated sludge trap,
polyethylene quick release odour tight covers

Delivery: System completely assembled.

Screw connection can be undone to minimum
installation dimensions.

Installation:

Ideal where access is extremely narrow.

Separator can be disassembled into 3 parts for
installation opening of max. 58 cm.

**Further nominal sizes, models with disposal device
and on-site welding on request:** info@kessel.com

Custom made product: Delivery time on request

➤ **Accessories:** Sampling chamber, *SonicControl*,
refill inlet, from page 41

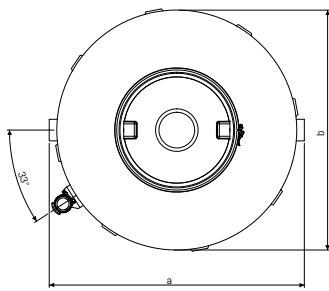
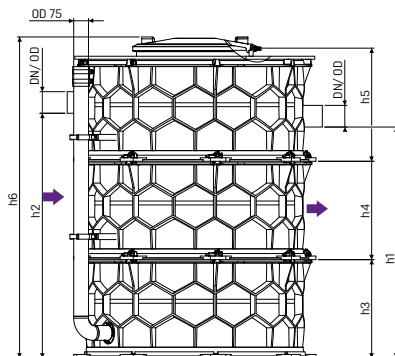


Illustration shows Direct version

EasyClean Modular Standard

NS	Art. no.
NS 1	93 001-R2-TS
NS 2	93 002-R2-TS
NS 3	93 003-R2-TS
NS 4	93 004-R2-TS

EasyClean Modular Direct with direct disposal

NS	Art. no.
NS 1	93 001-D1-R2-TS
NS 2	93 002-D1-R2-TS
NS 3	93 003-D1-R2-TS
NS 4	93 004-D1-R2-TS

Technical note for pages 14 - 39

Production and weather related influences can lead to deviations from our specifications in the case of free-standing separators.

For this reason, please check the height specifications in particular for their actual size before installation. Please adapt the pipework to the actual inlet and outlet dimensions before installing the grease separator. Thermal and mechanical influences must be taken into consideration.

NS	Ø (mm)	a (mm)	b (mm)	h1 (mm)	h2 (mm)	h3 (mm)	h4 (mm)	h5 (mm)	h6 (mm)	Weight (kg)	Sludge trap (l)	Water and grease (l)	Grease storage (l)	Total (l)
1	110	1300	1240	600	670	550	580		1133	95	100	380	80	330
2	110	1300	1240	715	785	550	580		1133	85	200	380	100	470
3	110	1300	1240	885	955	550	300	580	1383	110	300	420	120	600
4	110	1300	1240	1175	1245	550	550	580	1633	120	400	560	160	960

Ø = Outer diameter h5 × b = access opening



Accessories

Grease separators for free-standing installation

Sampling chamber Ø 400		Outer diameter Ø (mm)	Length in mm	Art. no.
Outlet lateral	<p>Compatibility: For connection to outlet pipe of separator, no ponding (allows accurate samples). Inlet and outlet Ø ... available options for synthetic material pipes in: PE-HD (according to EN 1519-1); PVC-HT, PP or AS; for grease separators for free-standing installation</p> <p>Inclusive: Cover sealed odour-tight with snap closure</p> <p>Drop height: 120 mm</p>		Ø 110/Ø 160	915 871
			Ø 200	915 883
			Ø 250	915 884

Outlet vertical	<p>Compatibility: For connection to outlet pipe of separator, no ponding (allows accurate samples). Inlet and outlet Ø ... available options for synthetic material pipes in: PE-HD (according to EN 1519-1); PVC-HT, PP or AS; for grease separators for free-standing installation</p> <p>Inclusive: Cover sealed odour-tight with snap closure</p> <p>Drop height: 120 mm</p>		Ø 110/Ø 160	915 870
------------------------	---	--	-------------	---------

Sampling chamber Ø 450		Outer diameter Ø (mm)	Art. no.	
Outlet lateral	<p>Compatibility: For connection to outlet pipe of separator. Inlet and outlet Ø 200 mm available options for synthetic material pipes in: PE-HD (according to EN 1519-1); PVC-HT, PP or AS; for grease separators for free-standing installation</p> <p>Inclusive: Cover sealed odour-tight with snap closure</p> <p>Drop height: 160 mm</p>		Ø 200	915 863-IS

Distribution box		Outer diameter Ø (mm)	Art. no.	
Distribution box	<p>Compatibility: For twin (parallel) separator systems; for grease separators for free-standing installation</p> <p>Inclusive: With inlet and outlet connection for polymer pipes made of: PE-HD (according to DIN 19537); PVC-HT, PP or AS.</p>		Ø 110	915 700-100
			Ø 160	915 700-150
			Ø 200	915 700-200

Automated water refill *EasyFill*

Automated water refill <i>EasyFill</i>	<p>Compatibility: For grease separator <i>EasyClean</i> Standard, Direct, Mix, Mix & Pump according to EN 1825</p>		919 010
---	---	--	---------

Accessories

Grease separators for free-standing installation

SonicControl level sensing system

level sensing system

Compatibility: For grease separators for free-standing installation according to EN 1825

Inclusive: Ultra sonic sensor for electronic measurement, display and control of the grease layer thickness and the water temperature; power connection, battery back up, connection for remote speaker; installation set with easy assembly and maintenance; control unit with optical and audible alarm with potential free contact; electronic log book with 12 month capacity. Data transfer by telemetry.

Voltage: 230 V ~ 50 Hz

Protection type: IP 54

Plug: Schuko 1.5 m

Cable length: 10 m (extendable on-site to 60 meters)



Art. no.

917 821

LoRa add-on printed circuit board

LoRa add-on printed circuit board

Compatibility: For wireless data transfer between the SonicControl control unit and the building control system from production year 2022 or a portal by means of LoRa WAN (on site)

Art. no.

72 999

Cable access conduit

Cable access conduit

Compatibility: For grease separators according to EN 1825 and DIN 4040; for watertight connection of *SonicControl* cable into separator chamber

Inclusive: Gasket, cable connection, extension, sensor bracket

Note: Conduit pipe with chase wire should be planned; requires 50 mm OD conduit pipe (PE-HD) -sourced on-site. Max. distance 30 m



Art. no.

917 823

Cable extension set for *SonicControl FA*

10 m extension

Art. no.

917 871

20 m extension

Art. no.

917 872

30 m extension

extendable on-site to 60 meters



Art. no.

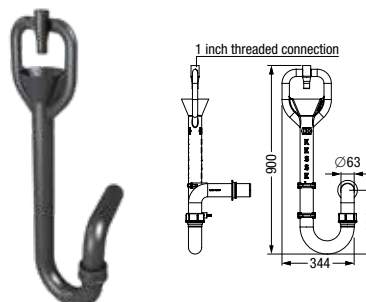
917 873

Refill inlet

Refill inlet

Compatibility: According to DIN 1988, for connection to filling and rinsing connection of the separation systems for free-standing installation according to EN 1825

Inclusive: Two pipe clamps, element with pipe sealing gasket Ø 63



Art. no.

915 800

Accessories

Grease separators for free-standing installation

Inspection window

Art. no.

Inspection window

Compatibility: For visual inspection of the thickness of the grease layer; for grease separators for free-standing installation according to EN 1825
Inclusive: High-gloss polished inspection glass, cleaning device, centimetre scale
Note: Only for installation by KESSEL certified workers



913 109

Remote control

Art. no.

Remote control

Compatibility: Fits KESSEL separation systems for free standing installation according to EN 1825, for connection to an isolated ground socket
Version: Model Auto Mix & Pump and Auto Mix in accordance with EN 1825
Cable length: 15 m



916 601

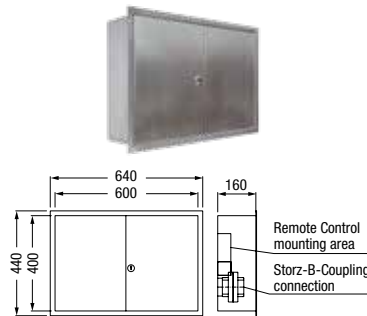
Access panel

Width × Height × Depth
in mm

Art. no.

Recessed wall installation

Compatibility: For Storz-B disposal pipe hook up connection and remote control connection for use with fully automated grease separators. Remote control not included
Material: Stainless steel
Inclusive: 2 doors, lockable
Note: Special dimensions on request

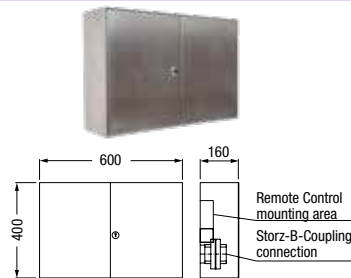


640 × 440 × 160

917 414

Wall installation

Compatibility: For Storz-B disposal pipe hook up connection and remote control connection for use with fully automated grease separators. Remote control not included
Material: Stainless steel
Inclusive: 2 doors, lockable
Note: Special dimensions on request



600 × 400 × 160

917 413



Progressive cavity pump

for greasy wastewater

Material: Polyethylene PE-HD

Version: upstream from the grease separator

Custom made product: e-Mail: info@kessel.com

Application: In the case where the grease separator is located higher than the collected wastewater from the kitchen, the EN 1825 norm requires the use of special lifting stations. Standard lifting stations with vortex or macerating pumps mix the wastewater as it is pumped. This causes the food waste and grease from the kitchen to fully mix with the wastewater which can negatively effect the efficiency of an EN 1825 grease separator. A progressive cavity pump 'pushes' the wastewater into the grease separator, without any mixing taking place, allowing for proper grease separator operation.

For additional information concerning Kessel positive displacement pumps, please contact KESSEL directly.



Illustration shows screw pump double system

- 1 Drains in the kitchen
- 2 Inlet pipe
- 3 Collecting tank
- 4 Progressive cavity pump twin system
- 5 Control unit
- 6 Pressure pipe
- 7 Calmed inlet (min. 1000 mm)
- 8 Grease separator
- 9 Sampling chamber



	Art. no.	Flow rate	Pump capacity	Connection	Suitable up to NS
Duo-Progressive cavity pump	Sonder-Hebe 65 S2	6 m ³ /h	1.1 kW	DN65/DN80	NS 4
Duo-Progressive cavity pump	Sonder-Hebe 65 S3	12 m ³ /h	2.2 kW	DN80/DN100	NS 7
Duo-Progressive cavity pump	Sonder-Hebe 65 S	20 m ³ /h	3.0 kW	DN80/DN100	NS 15
Duo-Progressive pump	Sonder-Hebe 65 S4	44 m ³ /h	7.5 kW	DN 125	NS 30

Accessories

Gate valve DN 65-DN 100	28 041	-	-	-	-
Non-return flap DN 65-DN 100	(included)	-	-	-	-
Mono-pump system	on request	-	-	-	-

Grease separator

EasyClean free Self Disposal

Recycling and reselling of FOG (Fats, Oils and Grease) is the new method of meeting local wastewater regulations, protecting the environment and recycling /selling the collected FOG.

The KESSEL *Self disposal grease separator* is designed exactly for this purpose. The EN 1825 certified separator separates food sludge and oil / grease from the kitchen wastewater which is then drained into included 60 liter storage tanks. The collected sludge and oil / grease in the tanks is then sold locally to a recycling company or disposed of as bio-waste. No need to hire a disposal truck to empty the grease separator on a monthly basis.

Advantages

- Regular disposal of grease and sludge even during separator operation
- Separate disposal of grease and sludge
- Environmentally friendly recycling of collected waste
- Disposal costs reduced since clean water remains in separator, only grease and sludge are removed
- Disposal requires no additional water for rinsing, cleaning or re-filling which saves valuable drinking water
- On-site assembly available

100 % corrosion-free

The *SE grease separator* is made from fully corrosion free polyethylene – guaranteed to last 20 years.



Separate oil / grease and food sludge collection

Separator has integrated food sludge collection and separate integrated oil / grease collection areas – meaning no mixed waste in the 60 liter storage tanks. 60 liter storage tanks are filled with either food waste OR oils / grease – for easy resale or recycling.

Heating dome

Separators equipped with integrated heating dome to pre-heat oils and greases before draining into 60 liter tank. Pre-heat timing is custom set so that greases / oils are properly liquified before draining into tanks.

Ideal for no access disposal truck locations

Separators are ideal for installations where there is no access for disposal trucks – for example island vacation resorts and mountain ski resorts.



EasyClean free Self Disposal

Article numbers • Data sheets
Accessories • Spareparts
Videos • Download • BIM



www.kessel.com/easyclean-free-self-disposal



Grease separator *EasyClean free Self Disposal* NS 2 – 10 for free-standing installation



Grease Separator according to EN 1825/DIN 4040, manufactured of High Density Polyethylene (HD-PE), for free standing installation in frost free rooms, odor tight access covers with quick release clamps, odor tight grease separation compartment with integrated heating dome.

Ø 110/160 inlet and outlet.

Self disposal system for separate disposal/collection of sludge and grease via manually operating valves. Visual inspection with transparent disposal pipe, disposal possible without interrupting separator operation. Includes grease, sinking sludge tanks (each with replacement tanks).

Electrical heating dome (230V, 50 Hz, 1200 W) for grease separation compartment and motor operated grease mixer (230 V, 50 Hz, 360 W) and electrical control unit (230V, 50 Hz, 6.3-10 Amp), rinsing pump (230V, 50 Hz, 1400 W).

Complete system is IP 54 rated.

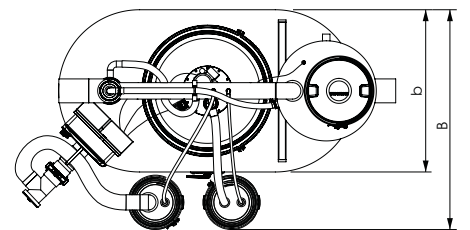
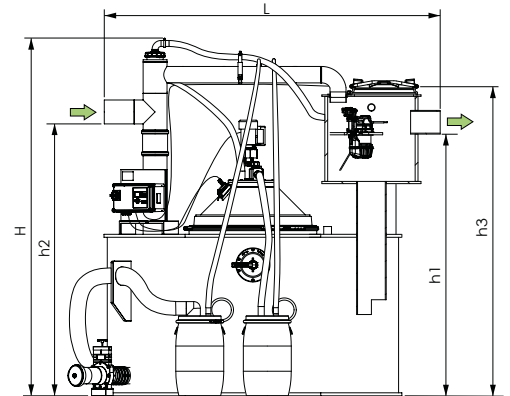
System delivered completely assembled.

Rights reserved for technical changes.

- **Required accessories:** Sludge pre-filter
- **Accessories:** Sampling Chamber, Lifting Stations



Nominal sizes	Art. no.
NS 2	99 102.02
NS 4	99 104.02
NS 7	99 107.02
NS 10	99 110.02



NS	Flow rate	Ø (mm)	H (mm)	L (mm)	B (mm)	b (mm)	h1 (mm)	h2 (mm)	h3 (mm)	Weight empty (kg)	Weight full (kg)
2	2 l/s	110	2350	2350	1580	1086	1775	1845	2060	270	1675
4	4 l/s	110	2350	2235	1600	1086	1775	1845	2060	270	1675
7	7 l/s	160	2380	2260	1600	1086	1750	1820	2070	305	2280
10	10 l/s	160	2380	2260	1680	1166	1750	1820	2070	315	2415

Grease separator *EasyClean free Self Disposal* NS 15 – 25 for free-standing installation



Grease Separator according to EN 1825 / DIN 4040, manufactured of High Density Polyethylene (HD-PE), for free standing installation in frost free rooms, with preliminary coarse sludge trap, odor tight access covers with quick release clamps, odor tight grease separation compartment with integrated heating dome.

Ø 200 inlet and outlet.

Self disposal system for separate disposal / collection of sludge and grease via manually operating valves. Visual inspection with transparent disposal pipe, disposal possible without interrupting separator operation. Includes disposal tanks (for grease, sludge and replacement tank).

Electrical heating dome (230V, 50 Hz, 1200 W) for grease separation compartment and motor operated grease mixer (230 V, 50 Hz, 360 W) and electrical control unit (230V, 50 Hz, 6.3-10 Amp), rinsing pump (230V, 50 Hz, 1400 W).



Complete system is IP 54 rated.

System delivered completely assembled.

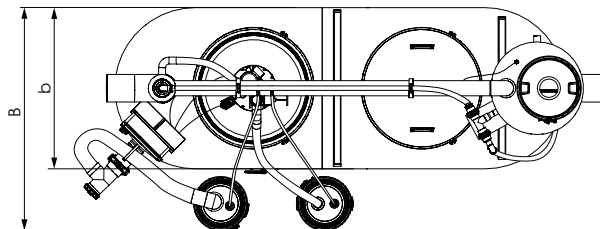
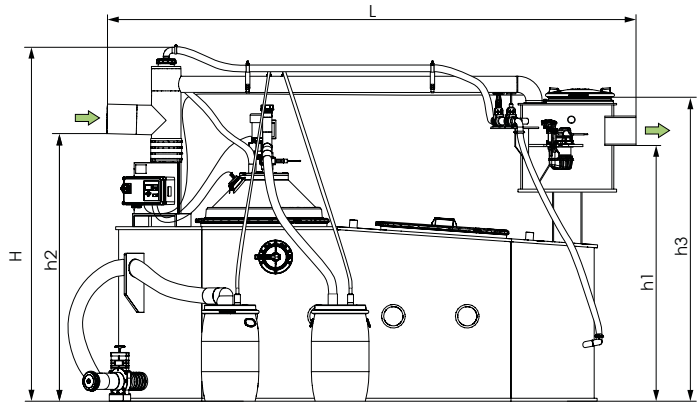
Rights reserved for technical changes.

- **Required accessories:** Sludge pre-filter
- **Accessories:** Sampling Chamber, Lifting Stations

Nominal sizes

Art. no.

NS 15	99 115.02
NS 20	99 120.02
NS 25	99 125.02



NS	Flow rate	Ø (mm)	H (mm)	L (mm)	B (mm)	b (mm)	h1 (mm)	h2 (mm)	h3 (mm)	Weight empty (kg)	Weight full (kg)
15	15 l/s	200	2350	3200	1550	1100	1730	1800	2100	370	3095
20	20 l/s	200	2350	3600	1650	1200	1730	1800	2100	440	3855
25	25 l/s	200	2350	4350	1650	1200	1730	1800	2100	530	4740

Ø = Outer diameter



Grease separator *EasyClean free UnderSink*

In the food truck, in the takeaway restaurant, in the shopping centre or in a small club: Installation of large central grease separators is not possible everywhere. If this is the case, and only small volumes of wastewater are produced, then it's a clear case for the *EasyClean free UnderSink* grease separator – optimised for free-standing set-up where space is limited.

Its low weight and compact size enable easy handling. Thanks to its 360° rotatable and vertically adjustable swivel connection, the tank is particularly convenient to remove. The *EasyClean free UnderSink* grease separator has been tested on the test bench with 0.7 l/s and is therefore ideally suitable for the wastewater discharge from a sink – efficient at a favourable price in TÜV-tested quality.



100 % corrosion-free

The *EasyClean free UnderSink* is 100 % made of polymer. That makes it resistant to aggressive wastewater and particularly durable.

100 % waterproof and odour-tight

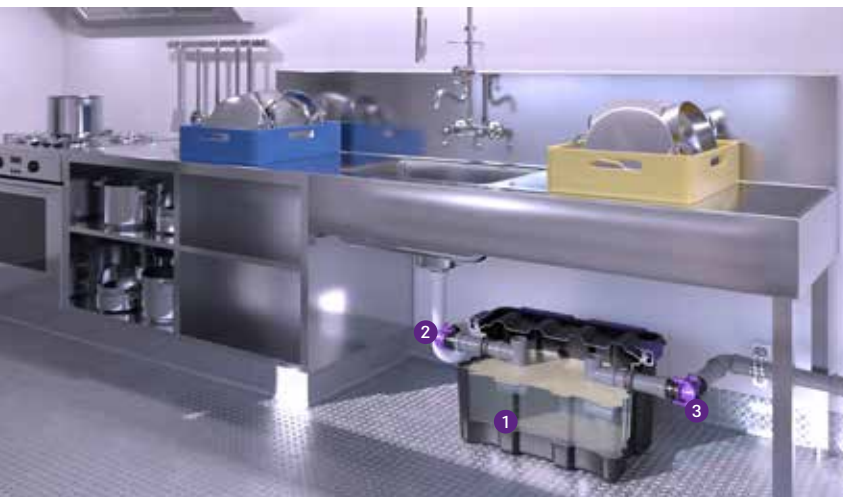
The tank of the *EasyClean free UnderSink* grease separator is water and odour-tight. We vouch for this with our KESSEL guarantee: In addition to the statutory provision, we provide a 20-year warranty on the leak tightness, fitness for purpose and structural stability of tank.

Inspection window

An inspection window is available for optional installation on site for visual checking of the grease layer thickness.

Tool-free installation

KESSEL makes the installation particularly easy for you: You do not need any tools to install the *EasyClean free UnderSink* grease separator – which also applies to the disposal.



1 Grease separators 2 Inlet 3 Outlet



EasyClean free UnderSink

Article numbers • Data sheets
Accessories • Spareparts
Videos • Download • BIM

[www.kessel.com/
easyclean-free-undersink](http://www.kessel.com/easyclean-free-undersink)



Grease separator *EasyClean free UnderSink* NS 0.7 for free-standing installation



New



The separator for greasy wastewater is suitable for free-standing set-up in frost-protected rooms below a sink and is manufactured without the need for metallic components in the tank. The collecting tank made of permanently resistant polymer (PP) is equipped with an integrated sludge trap. An odour-tight cover with all-round seal and clip closures makes easy access possible for cleaning and maintenance work. For easy removal, the separator has a quick-release connection to the pipe.

An inspection window for optional installation on site is available for visual checking of the grease layer thickness.

Technical data:

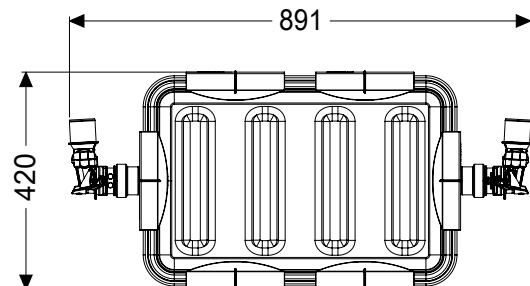
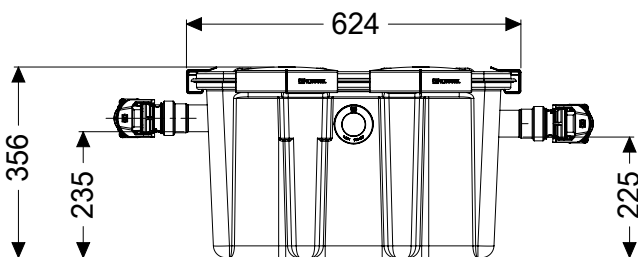
- Inlet/outlet Ø 50 mm
- Grease storage 8l
- Sludge trap 12l
- Total volume 33l

Material: PP

Delivery: Modular kit for assembly on site

Type of disposal: manual

NS	Art. no.
0.7	93 070.00US



h1 (mm)	h2 (mm)	Inlet/outlet Ø (mm)	Installation dimension l × b (mm)	Weight (kg)	Sludge trap (l)	Water and grease (l)	Grease storage (l)	Total (l)
225	235	50	891 × 420	5	12	21	8	33

Accessories

Inspection window

Art. no.

Inspection window

Compatibility: For grease separators *EasyClean free UnderSink* for free-standing installation

Inclusive: High-gloss polished inspection glass

Note: Installation in drillhole on site, use hole saw with DA60

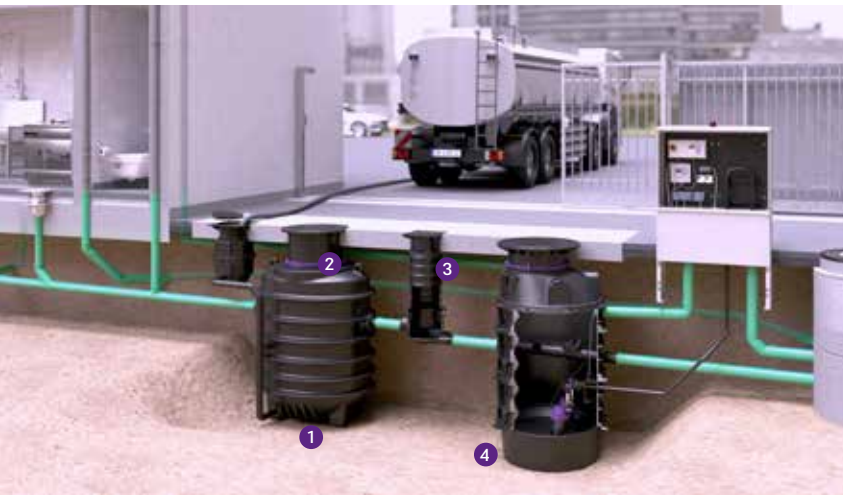


913 110

Grease separators *EasyClean* ground

The space-saving solution for underground installation.

Underground installation outside the building is a space saving alternative to indoor installed separators. Here, we offer a wide range of grease separators with the *EasyClean* ground that combines the advantages of the *EasyClean* free with more usable operating space.



- 1 Grease separator
- 2 Height adjustable upper section
- 3 Disposal chamber
- 4 Pumping station



- 1 Grease separator
- 2 Height adjustable upper section
- 3 Disposal chamber

Different disposal options

Auto Mix & Pump

Auto Mix

Direct

Standard

Multi Direct, Multi Standard

EasyClean ground

Article numbers • Data sheets
Accessories • Spareparts
Videos • Download • BIM

www.kessel.com/easyclean-ground



EasyClean ground
complete includes tank, upper
section, cover, gaskets



Remote Control
located at the disposal truck
connection (option for PVS and
DSP)



Lock & Lift
lockable odour tight manhole cover
with easy release technology

Fully certified according to EN
800 mm access by health and
safety – all installation depth
provides easy service/inspection

Upper sections
vertical adjustable



Warranty
KESSEL offers a factory extended
warranty of 20 years on the
polyethylene grease separator tanks.

Cable conduit
water/odour tight chamber
sealing system for Sonic-Control
sensor cable

EasyClean ground oval
Article numbers • Data sheets
Accessories • Spareparts
Videos • Download • BIM
[www.kessel.com/
easyclean-ground-oval](http://www.kessel.com/easyclean-ground-oval)

Groundwater resistance
up to manhole cover NS 7-12.5
(others on demand)

SonicControl
for the measurement, display and
control of the grease layer thickness
includes clip-on installation bracket



Always the right choice:
kessel.com/smartselect

Grease separator *EasyClean* ground Auto Mix & Pump NS 1 – 10 for underground installation



EN 1825 DIN 4040-100

Made of polyethylene

Installation

In combination with engineering system chamber

- Grease Separator NS 1 – 4: Resistant when installed in the groundwater up to 500 mm
- Grease Separator NS 7, 10: Resistant when installed in the groundwater up to 500 mm
- A load distribution plate must be planned for class D

Consisting of: With program-controlled disposal system and Shredder-Mix system, upper section made of polymer material, continuous height and level adjustment, with cover, class A / B, D (class D with *Lock & Lift* function) according to EN 124 made of cast iron (can be driven over by cars and trucks), sealed odour-tight, incl. removal mechanism, integrated sampling chamber *Type NBG*, control unit (potential free contact and Modbus) and remote control, mains water supply rinse function, refill inlet, pump

Pumping capacity: 3.0 kW

Cable length: 5 m

Delivery: System completely assembled

Note: Further nominal sizes on request

- **Accessories:** Jointing / connection set, disposal chamber Ø 400, sampling chamber, intermediate section, *SonicControl* page 62
- **Technical note:** page 59

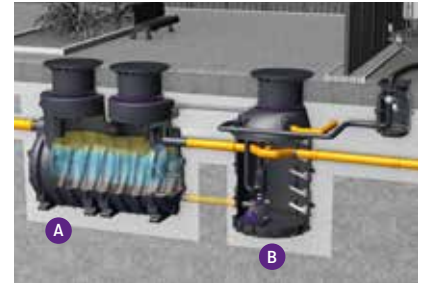


Illustration shows NS 10, NS 4

Underground installation frost-free depth 1200 mm

NS	Installation depth D in mm	Art. no.
Cover class A/B		
NS 1	725 - 1225	93 001/120B-PVS-TS
NS 2	725 - 1225	93 002/120B-PVS-TS
NS 4	725 - 1225	93 004/120B-PVS-TS
NS 7	680 - 1190	93 007/120B-PVS-TS
NS 10	680 - 1190	93 010/120B-PVS-TS

Cover class D, with *Lock & Lift* function

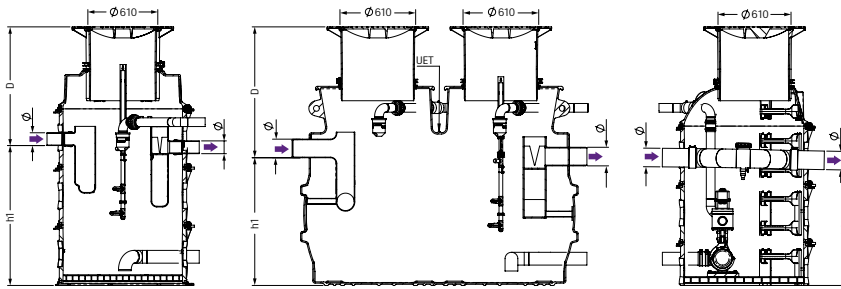
NS 1	1020 - 1225	93 001/120D-PVS-TS
NS 2	1020 - 1225	93 002/120D-PVS-TS
NS 4	1020 - 1225	93 004/120D-PVS-TS
NS 7	975 - 1190	93 007/120D-PVS-TS
NS 10	975 - 1190	93 010/120D-PVS-TS

Underground installation frost-free depth 1700 mm

NS	Installation depth D in mm	Art. no.
Cover class A/B		
NS 1	1225 - 1725	93 001/170B-PVS-TS
NS 2	1225 - 1725	93 002/170B-PVS-TS
NS 4	1225 - 1725	93 004/170B-PVS-TS
NS 7	1180 - 1690	93 007/170B-PVS-TS
NS 10	1180 - 1690	93 010/170B-PVS-TS

Cover class D, with *Lock & Lift* function

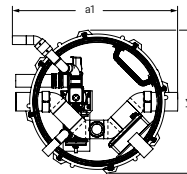
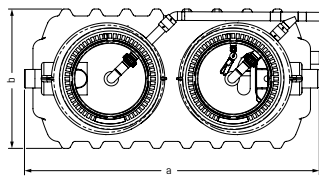
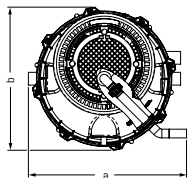
NS 1	1520 - 1725	93 001/170D-PVS-TS
NS 2	1520 - 1725	93 002/170D-PVS-TS
NS 4	1520 - 1725	93 004/170D-PVS-TS
NS 7	1475 - 1690	93 007/170D-PVS-TS
NS 10	1475 - 1690	93 010/170D-PVS-TS



A Grease separator NS 1 – 4

A Grease separator NS 7 – 10

B Grease separator



NS	Ø (mm)	a (mm)	b (mm)	a1 (mm)	b1 (mm)	h1 (mm)	h2 (mm)	Weight (kg)	Sludge trap (l)	Water and grease (l)	Grease storage (l)	Total (l)
1	110	1365	1235	1425	1235	705	595	270	140	230	70	370
2	110	1365	1235	1425	1235	955	845	300	200	370	120	570
4	110	1365	1235	1425	1235	1205	1095	325	400	370	160	770
7	160	2540	1200	1425	1235	1100	995	525	700	1100	280	1800
10	160	3065	1200	1425	1235	1100	995	550	1000	1600	400	2600

Ø = Outer diameter D = Installation depth



Grease separator *EasyClean* ground Auto Mix NS 1 – 10 for underground installation

EN 1825 DIN 4040-100

Made of polyethylene

Installation

In combination with engineering system chamber

- Grease Separator NS 1 – 4: Resistant when installed in the groundwater up to 500 mm
- Grease Separator NS 7, 10: Resistant when installed in the groundwater up to 500 mm
- A load distribution plate must be planned for class D

Consisting of: With program-controlled Shredder-Mix system, upper section made of polymer material, continuous height and level adjustment, with cover, class A / B, D (class D with *Lock & Lift* function) according to EN 124 made of cast iron (can be driven over by cars and trucks), sealed odour-tight, incl. removal mechanism, integrated sampling chamber *Type NBG*, control unit and remote control, mains water supply rinse function, refill inlet, pump

Pumping capacity: 3.0 kW

Cable length: 5 m

Delivery: System completely assembled

Note: Further nominal sizes on request

➤ **Accessories:** Joining / connection set, disposal chamber Ø 400, sampling chamber, intermediate section, *SonicControl* page 62

➤ **Technical note:** page 59

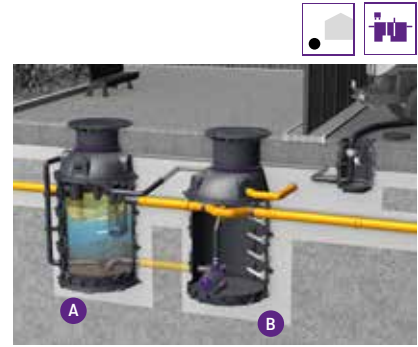


Illustration shows NS 2, NS 4

Underground installation frost-free depth 1200 mm

NS	Installation depth D in mm	Art. no.
Cover class A / B		
NS 1	725 - 1225	93 001/120B-DSP-TS
NS 2	725 - 1225	93 002/120B-DSP-TS
NS 4	725 - 1225	93 004/120B-DSP-TS
NS 7	680 - 1190	93 007/120B-DSP-TS
NS 10	680 - 1190	93 010/120B-DSP-TS

Cover class D, with *Lock & Lift* function

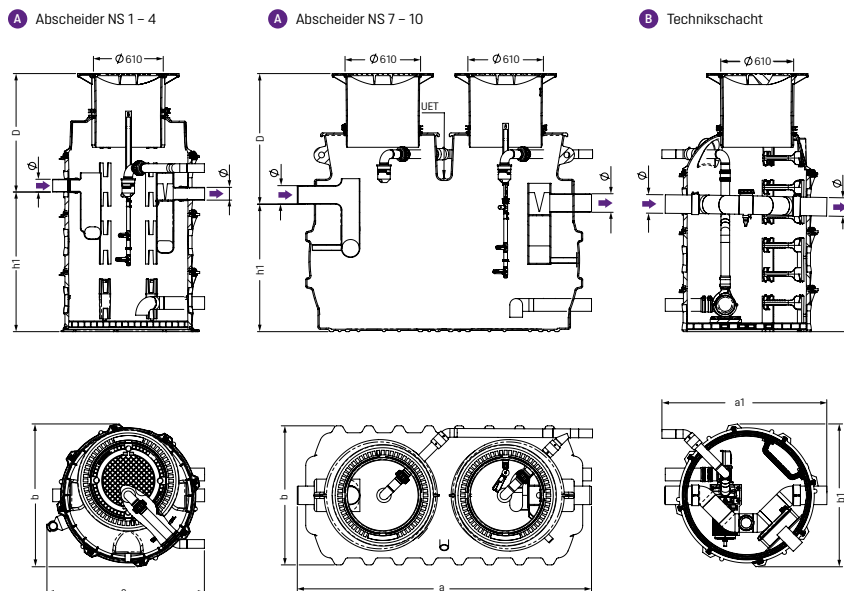
NS 1	1020 - 1225	93 001/120D-DSP-TS
NS 2	1020 - 1225	93 002/120D-DSP-TS
NS 4	1020 - 1225	93 004/120D-DSP-TS
NS 7	975 - 1190	93 007/120D-DSP-TS
NS 10	975 - 1190	93 010/120D-DSP-TS

Underground installation frost-free depth 1700 mm

NS	Installation depth D in mm	Art. no.
Cover class A / B		
NS 1	1225 - 1725	93 001/170B-DSP-TS
NS 2	1225 - 1725	93 002/170B-DSP-TS
NS 4	1225 - 1725	93 004/170B-DSP-TS
NS 7	1180 - 1690	93 007/170B-DSP-TS
NS 10	1180 - 1690	93 010/170B-DSP-TS

Cover class D, with *Lock & Lift* function

NS 1	1520 - 1725	93 001/170D-DSP-TS
NS 2	1520 - 1725	93 002/170D-DSP-TS
NS 4	1520 - 1725	93 004/170D-DSP-TS
NS 7	1475 - 1690	93 007/170D-DSP-TS
NS 10	1475 - 1690	93 010/170D-DSP-TS



NS	Ø (mm)	a (mm)	b (mm)	a1 (mm)	b1 (mm)	h1 (mm)	Weight (kg)	Sludge trap (l)	Water and grease (l)	Grease storage (l)	Total (l)
1	110	1365	1235	1425	1235	705	270	140	230	70	370
2	110	1365	1235	1425	1235	955	300	200	370	120	570
4	110	1365	1235	1425	1235	1205	325	400	370	160	770
7	160	2540	1200	1425	1235	1100	525	700	1100	280	1800
10	160	3065	1200	1425	1235	1100	550	1000	1600	400	2600

Ø = Outer diameter D = Installation depth



Grease separator *EasyClean* ground oval Direct NS 1 – 12,5 for underground installation

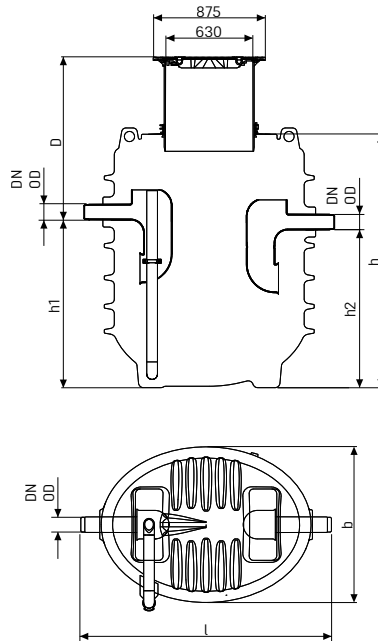


EN 1825 DIN 4040-100

The separator for greasy wastewater is suitable for installation in the ground and comes without metallic components in the tank. The collecting tank made of permanently resistant polymer (PE) is equipped with an integrated sludge trap and has a rounded base for fast and clean disposal. Access for cleaning and maintenance work is possible via a service access cover. A direct disposal pipe socket is available for manual disposal. A load distribution slab must be installed on site for load class D. The reinforcement drawings are part of the EBA and are available from KESSEL AG. The tank is groundwater resistant up to ground level (GL). 20 year polyethylene warranty.

➤ **Accessories:** Sampling chamber, extension section, *SonicControl* page 62

➤ **Technical note:** page 59



NS	Ø (mm)	l (mm)	b (mm)	h (mm)	h1 (mm)	h2 (mm)	Weight (kg)	Sludge trap (l)	Water and grease (l)	Grease storage (l)	Total (l)
1	100	1700	1090	1515	870	800	215	100	550	40	650
2	100	1700	1090	1515	870	800	215	200	450	80	650
3	100	1700	1090	1820	1175	1105	230	300	615	120	915
4	100	1700	1090	1820	1175	1105	230	400	515	160	915
7	150	1870	1090	2375	1705	1635	305	700	930	280	1630
8,5	150	1870	1090	2375	1755	1685	305	850	850	340	1700
10	150	1870	1090	2795	2170	2100	345	1000	1100	400	2100
12,5	200	1870	1090	2795	2135	2065	350	1250	880	500	2130

Ø = Outer diameter D = Installation depth

Underground installation frost-free depth 1200 mm

NS	Installation depth D in mm	Direction of flow "left" Art. no.	Direction of flow "right" Art. no.
----	----------------------------	-----------------------------------	------------------------------------

Cover class B

NS 1	690 - 1190	95 010-120B-DL	95 010-120B-DR
NS 2	690 - 1190	95 020-120B-DL	95 020-120B-DR
NS 3	690 - 1190	95 030-120B-DL	95 030-120B-DR
NS 4	690 - 1190	95 040-120B-DL	95 040-120B-DR
NS 7	715 - 1215	95 070-120B-DL	95 070-120B-DR
NS 8,5	665 - 1165	95 085-120B-DL	95 085-120B-DR
NS 10	670 - 1170	95 100-120B-DL	95 100-120B-DR
NS 12,5	645 - 1145	95 125-120B-DL	95 125-120B-DR

Cover class D, with Lock & Lift function

NS 1	900 - 1190	95 010-120D-DL	95 010-120D-DR
NS 2	900 - 1190	95 020-120D-DL	95 020-120D-DR
NS 3	900 - 1190	95 030-120D-DL	95 030-120D-DR
NS 4	900 - 1190	95 040-120D-DL	95 040-120D-DR
NS 7	925 - 1215	95 070-120D-DL	95 070-120D-DR
NS 8,5	875 - 1165	95 085-120D-DL	95 085-120D-DR
NS 10	880 - 1170	95 100-120D-DL	95 100-120D-DR
NS 12,5	855 - 1145	95 125-120D-DL	95 125-120D-DR

Underground installation frost-free depth 1700 mm

NS	Installation depth D in mm	Direction of flow "left" Art. no.	Direction of flow "right" Art. no.
----	----------------------------	-----------------------------------	------------------------------------

Cover class B

NS 1	1040 - 1740	95 010-170B-DL	95 010-170B-DR
NS 2	1040 - 1740	95 020-170B-DL	95 020-170B-DR
NS 3	1040 - 1740	95 030-170B-DL	95 030-170B-DR
NS 4	1040 - 1740	95 040-170B-DL	95 040-170B-DR
NS 7	1065 - 1765	95 070-170B-DL	95 070-170B-DR
NS 8,5	1015 - 1715	95 085-170B-DL	95 085-170B-DR
NS 10	1020 - 1720	95 100-170B-DL	95 100-170B-DR
NS 12,5	995 - 1740	95 125-170B-DL	95 125-170B-DR

Cover class D, with Lock & Lift function

NS 1	1190 - 1740	95 010-170D-DL	95 010-170D-DR
NS 2	1190 - 1740	95 020-170D-DL	95 020-170D-DR
NS 3	1190 - 1740	95 030-170D-DL	95 030-170D-DR
NS 4	1190 - 1740	95 040-170D-DL	95 040-170D-DR
NS 7	1215 - 1765	95 070-170D-DL	95 070-170D-DR
NS 8,5	1165 - 1715	95 085-170D-DL	95 085-170D-DR
NS 10	1170 - 1720	95 100-170D-DL	95 100-170D-DR
NS 12,5	1145 - 1695	95 125-170D-DL	95 125-170D-DR



Grease separator *EasyClean* ground Direct NS 2 – 4

for underground installation



EN 1825 DIN 4040-100

Made of polyethylene

Installation

in frost-free depth

- Resistant when installed in the groundwater up to 500 mm
- A load distribution plate must be provided for class D

Consisting of:

Upper section made of polymer, continuous height and level adjustment, with cover class A / B, D (class D with *Lock & Lift* function) in accordance with EN 124 made of cast iron, sealed odour-tight, incl. lift-out key

Delivery: System completely assembled

➤ **Accessories:** Sampling chamber, extension section, *SonicControl* (NS 2 and NS 4) page 62

➤ **Technical note:** page 59

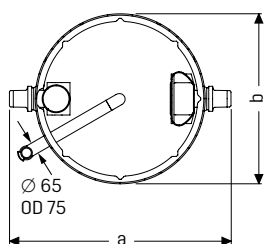
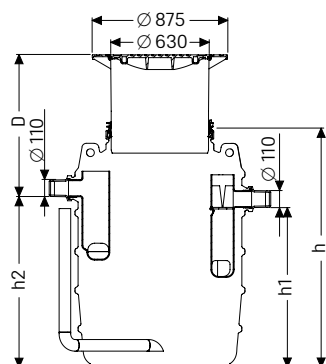


Underground installation frost-free depth 800 mm

NS	Installation depth D in mm	Art. no.
Cover class A / B, direction of flow left		
NS 2	515 - 975	93 002.80B-DL
NS 4	515 - 975	93 004.80B-DL
Cover class A / B, direction of flow right		
NS 2	515 - 975	93 002.80B-DR
NS 4	515 - 975	93 004.80B-DR
Cover class D, direction of flow left		
NS 2	515 - 975	93 002.80D-DL
NS 4	515 - 975	93 004.80D-DL
Cover class D, direction of flow right		
NS 2	515 - 975	93 002.80D-DR
NS 4	515 - 975	93 004.80D-DR

Underground installation frost-free depth 1200 mm

NS	Installation depth D in mm	Art. no.
Cover class A / B, direction of flow left		
NS 2	765 - 1225	93 002.120B-DL
NS 4	765 - 1225	93 004.120B-DL
Cover class A / B, direction of flow right		
NS 2	765 - 1225	93 002.120B-DR
NS 4	765 - 1225	93 004.120B-DR
Cover class D, direction of flow left		
NS 2	765 - 1225	93 002.120D-DL
NS 4	765 - 1225	93 004.120D-DL
Cover class D, direction of flow right		
NS 2	765 - 1225	93 002.120D-DR
NS 4	765 - 1225	93 004.120D-DR



NS	Ø (mm)	a (mm)	b (mm)	h ¹⁾ (mm)	h1 (mm)	h2 (mm)	Weight (kg)	Sludge trap (l)	Water and grease (l)	Grease storage (l)	Total (l)
2	110	1380	1106	1300	790	860	120	200	370	120	570
4	110	1380	1106	1550	1040	1110	130	400	370	160	770

¹⁾ Valued for Type 80 separators. For Type 120 h* = h + 250 mm.

Ø = Outer diameter D = Installation depth



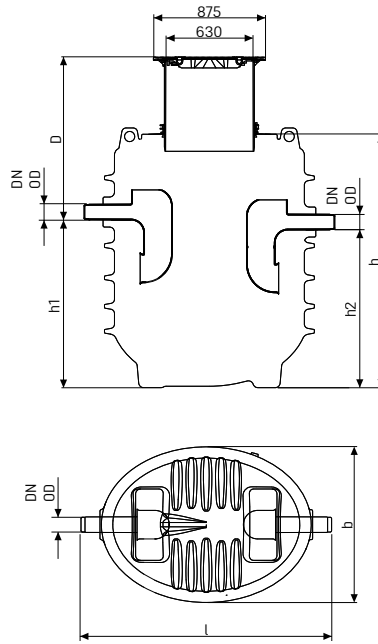
Grease separator *EasyClean* ground oval Standard NS 1 – 12,5 for underground installation



EN 1825 DIN 4040-100

The separator for greasy wastewater is suitable for installation in the ground and comes without metallic components in the tank. The collecting tank made of permanently resistant polymer (PE) is equipped with an integrated sludge trap and has a rounded base for fast and clean disposal. Access for cleaning and maintenance work is possible via a service access cover. A direct disposal pipe socket is available for manual disposal. A load distribution slab must be installed on site for load class D. The reinforcement drawings are part of the EBA and are available from KESSEL AG. The tank is groundwater resistant up to ground level (GL). 20 year polyethylene warranty.

- **Accessories:** Sampling chamber, extension section, *SonicControl* (NS 2 and NS 4) page 62
- **Technical note:** page 59



NS	Ø (mm)	l (mm)	b (mm)	h (mm)	h1 (mm)	h2 (mm)	Weight (kg)	Sludge trap (l)	Water and grease (l)	Grease storage (l)	Total (l)
1	100	1700	1090	1515	870	800	215	100	550	40	650
2	100	1700	1090	1515	870	800	215	200	450	80	650
3	100	1700	1090	1820	1175	1105	230	300	615	120	915
4	100	1700	1090	1820	1175	1105	230	400	515	160	915
7	150	1870	1090	2375	1705	1635	305	700	930	280	1630
8,5	150	1870	1090	2375	1755	1685	305	850	850	340	1700
10	150	1870	1090	2795	2170	2100	345	1000	1100	400	2100
12,5	200	1870	1090	2795	2135	2065	350	1250	880	500	2130

Ø = Outer diameter D = Installation depth

Underground installation frost-free depth 1200 mm

NS	Installation depth D in mm	Art. no.
Cover class B		
NS 1	690 - 1190	95 010-120B
NS 2	690 - 1190	95 020-120B
NS 3	690 - 1190	95 030-120B
NS 4	690 - 1190	95 040-120B
NS 7	715 - 1215	95 070-120B
NS 8,5	665 - 1165	95 085-120B
NS 10	670 - 1170	95 100-120B
NS 12,5	645 - 1145	95 125-120B

Cover class D, with *Lock & Lift* function

NS 1	900 - 1190	95 010-120D
NS 2	900 - 1190	95 020-120D
NS 3	900 - 1190	95 030-120D
NS 4	900 - 1190	95 040-120D
NS 7	925 - 1215	95 070-120D
NS 8,5	875 - 1165	95 085-120D
NS 10	880 - 1170	95 100-120D
NS 12,5	855 - 1145	95 125-120D

Underground installation frost-free depth 1700 mm

NS	Installation depth D in mm	Art. no.
Cover class B		
NS 1	1040 - 1740	95 010-170B
NS 2	1040 - 1740	95 020-170B
NS 3	1040 - 1740	95 030-170B
NS 4	1040 - 1740	95 040-170B
NS 7	1065 - 1765	95 070-170B
NS 8,5	1015 - 1715	95 085-170B
NS 10	1020 - 1720	95 100-170B
NS 12,5	995 - 1740	95 125-170B

Cover class D, with *Lock & Lift* function

NS 1	1190 - 1740	95 010-170D
NS 2	1190 - 1740	95 020-170D
NS 3	1190 - 1740	95 030-170D
NS 4	1190 - 1740	95 040-170D
NS 7	1215 - 1765	95 070-170D
NS 8,5	1165 - 1715	95 085-170D
NS 10	1170 - 1720	95 100-170D
NS 12,5	1145 - 1695	95 125-170D



Grease separator *EasyClean* ground Standard NS 1 – 4 for underground installation



EN 1825 DIN 4040-100

Made of polyethylene

Installation

- Resistant when installed in the groundwater up to 500 mm
- A load distribution plate must be provided for class D

Consisting of:

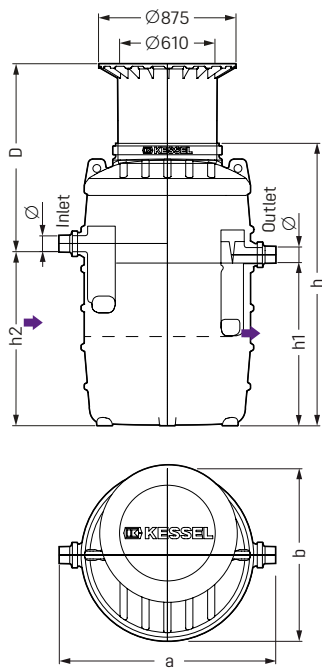
Upper section made of polymer, infinite height and level adjustment, with cover class A / B, D (class D with *Lock & Lift* function) in accordance with EN 124 made of cast iron, sealed odour-tight, incl. lift-out key

Delivery: System completely assembled

Note: Further nominal sizes on request

➤ **Accessories:** Sampling chamber, extension section, direct disposal, *SonicControl* (NS 2 and NS 4) page 62

➤ **Technical note:** page 59



Underground installation frost-free depth 800 mm

NS	Installation depth D in mm	Art. no.
Cover class A / B		
NS 1	515 - 975	93 001/80B
NS 2	515 - 975	93 002/80B
NS 4	515 - 975	93 004/80B
Cover class D, with <i>Lock & Lift</i> function		
NS 1	515 - 975	93 001/80D
NS 2	515 - 975	93 002/80D
NS 4	515 - 975	93 004/80D

Underground installation frost-free depth 1200 mm

NS	Installation depth D in mm	Art. no.
Cover class A / B		
NS 1	765 - 1225	93 001/120B
NS 2	765 - 1225	93 002/120B
NS 4	765 - 1225	93 004/120B
Cover class D, with <i>Lock & Lift</i> function		
NS 1	765 - 1225	93 001/120D
NS 2	765 - 1225	93 002/120D
NS 4	765 - 1225	93 004/120D

NS	Ø (mm)	a (mm)	b (mm)	h ¹⁾ (mm)	h1 (mm)	h2 (mm)	Weight (kg)	Sludge trap (l)	Water and grease (l)	Grease storage (l)	Total (l)
1	110	1380	1106	1050	540	610	111	140	230	70	370
2	110	1380	1106	1300	790	860	120	200	370	120	570
4	110	1380	1106	1550	1040	1110	130	400	370	160	770

¹⁾ Specifications apply for type 80. For type 120, h* = h + 250 mm.

Ø = Outer diameter D = Installation depth



Grease separator *EasyClean* ground Standard NS 7 – 35 for underground installation



EN 1825 DIN 4040-100

Made of polyethylene

Installation

in frost-free depth

- Installation is possible with groundwater up to the upper edge of the tank (UET)
- A load distribution plate must be provided for class D
- Class D = 700 mm ≤ DEC ≤ 1500 mm
Class A/ B = 700 mm ≤ DEC ≤ 1800 mm
- Minimum installation depth achieved by sawing the upper section as required

Consisting of:

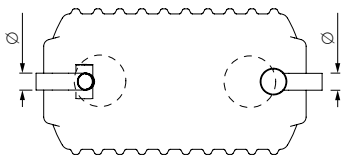
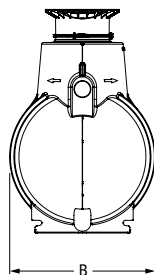
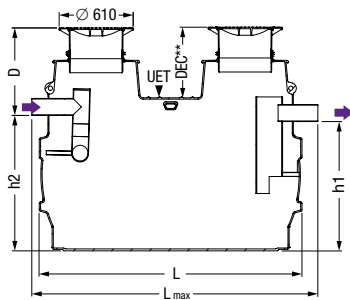
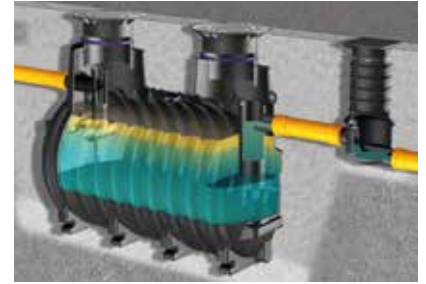
Upper section made of polymer, height and level adjustment, with cover class A/B, D (class D with *Lock & Lift* function) in accordance with EN 124, made of cast iron (can be driven over by cars and trucks), sealed odour-tight, incl. lift-out key

Delivery: System completely assembled

Note: Further nominal sizes on request

➤ **Accessories:** Sampling chamber, extension section, direct disposal, *SonicControl* page 62

➤ **Technical note:** page 59



**DEC = Depth of earth coverage

NS	Ø (mm)	L (mm)	B (mm)	h1 (mm)	h2 (mm)	Sludge trap (l)	Water and grease (l)	Grease storage (l)	Total (l)	D-DEC	Lmax
7	160	2390	1200	1030	1100	700	1100	280	1800	220	2540
10	160	2910	1200	1030	1100	1000	1600	400	2600	220	3060
15	200	2590	1760	1550	1620	1500	2800	600	4300	185	2780
20	200	3110	1760	1550	1620	2000	3800	800	5800	185	3300
25	200	3470	2010	1550	1650	2500	5300	2000	7800	480	3760
30	250	3470	2010	1550	1650	3000	4800	2000	7800	480	3760
35	250	3470	2010	1700	1800	3500	4800	2000	8300	330	3760

Ø = Outer diameter D = Installation depth

NS	Installation depth D in mm	Weight in kg	Art. no.
<i>Cover class A / B</i>			
NS 7	705 - 1200	315	93 007/120B
NS 10	705 - 1200	340	93 010/120B
NS 15	730 - 1225	435	93 015/120B
NS 20	730 - 1225	490	93 020/120B
NS 25	765 - 1260	665	93 925/120B
NS 30	765 - 1260	665	93 930/120B
NS 35	615 - 1110	665	93 935/120B

<i>Cover class D, with Lock & Lift function</i>			
NS 7	705 - 1200	450	93 007/120D
NS 10	705 - 1200	480	93 010/120D
NS 15	730 - 1225	630	93 015/120D
NS 20	730 - 1225	670	93 020/120D
NS 25	765 - 1260	765	93 925/120D
NS 30	765 - 1260	765	93 930/120D
NS 35	615 - 1110	765	93 935/120D

Extended version for deeper installation with extension section Ø 800 mm

NS	Installation depth D in mm	Weight in kg	Art. no.
<i>Cover class A / B</i>			
NS 7	1085 - 1765	345	93 007/170B
NS 10	1085 - 1765	370	93 010/170B
NS 15	1095 - 1780	465	93 015/170B
NS 20	1095 - 1780	520	93 020/170B
NS 25	1120 - 1800	695	93 925/170B
NS 30	1120 - 1800	695	93 930/170B
NS 35	970 - 1650	695	93 935/170B

<i>Cover class D, with Lock & Lift function</i>			
NS 7	1085 - 1765	480	93 007/170D
NS 10	1085 - 1765	510	93 010/170D
NS 15	1095 - 1780	660	93 015/170D
NS 20	1095 - 1780	700	93 020/170D
NS 25	1120 - 1800	795	93 925/170D
NS 30	1120 - 1800	795	93 930/170D
NS 35	970 - 1650	795	93 935/170D



Grease separator *EasyClean Modular Standard NS 1 – 4*

for underground installation in frost-free depth, with separate sludge trap



DIN 4040-100

Made of polyethylene

Installation

in frost-free depth

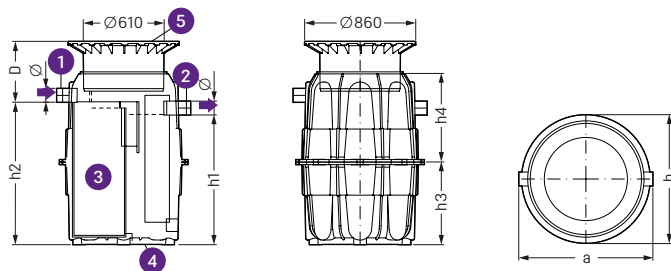
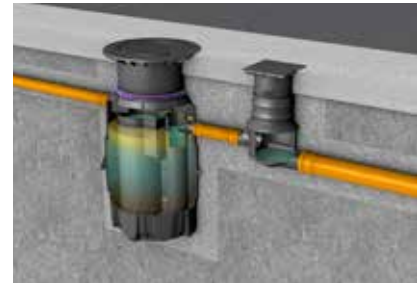
- Resistant when installed in the groundwater up to 500 mm
- A load distribution plate must be provided for class D

Consisting of:

Upper section made of polymer, height and level adjustment, with cover class A / B, D (class D with *Lock & Lift* function) in accordance with EN 124, made of cast iron (can be driven over by cars and trucks), sealed odour-tight, incl. lift-out key

Delivery: System completely assembled

➔ **Accessories:** Sampling chamber, extension section, direct disposal, *SonicControl* (NS 2 and NS 4) page 62



- 1 Inlet
- 2 Outlet
- 3 Sludge trap
- 4 Separation chamber
- 5 Upper section with cover class A / B, D

NS	Installation depth D in mm	Art. no.
Cover class A / B		
NS 1	295 - 480	98 201/00B
NS 2	295 - 480	98 202/00B
NS 4	295 - 480	98 204/00B
Cover class D, with <i>Lock & Lift</i> function		
NS 1	295 - 480	98 201/00D
NS 2	295 - 480	98 202/00D
NS 4	295 - 480	98 204/00D

**Technical note
for pages 50 - 59**

Weather-related influences or cooling of the tanks during the installation phase (caused by filling with cold water) can lead to deviations in dimensions from the catalogue specifications in the case of cisterns and separators installed in the ground.

NS	Ø (mm)	a (mm)	b (mm)	h1 (mm)	h2 (mm)	h3 (mm)	h4 (mm)	Weight (kg)	Sludge trap (l)	Water and grease (l)	Grease storage (l)	Total (l)
1	110	1055	1020	1020	1120	650	720	140	105	415	40	420
2	110	1355	1300	1136	1236	750	750	190	200	945	80	1145
4*	110	2635	1300	1136	1236	750	750	330	600	1150	160	1750

* NS 4 separator consist of two chambers

Ø = Outer diameter D = Installation depth



Grease separators

EasyClean ground Multi

Grease separator and pumping station in one chamber.

The convenient solution with just one chamber! The *EasyClean ground Multi* allows for the installation of the grease separator, sampling chamber and lifting station in a single chamber. This means that the entire system can be designed and installed as a whole. This procedure not only saves time and effort but also costs.

The *EasyClean ground Multi* grease separator is available for load classes A/B and D as well as in nominal sizes NS 4, NS 7 and NS 10. The *SonicControl* layer thickness measuring device, with which the disposal cycles of the separator can be monitored and optimised, is available as an optional accessory. In addition, other installation depths and nominal sizes for special requirements and installation situations are also available on request – all you need to do is contact us!

EasyClean ground Multi

Article numbers • Data sheets
Accessories • Spareparts
Videos • Download • BIM

www.kessel.com/easyclean-ground-multi



1 Grease separator 2 Sampling chamber 3 Lifting station

Two variants – one goal

With the standard version of the *EasyClean ground Multi* the grease separator is emptied and cleaned manually. The odour-tight covers must be opened for emptying and cleaning. Disposal with the *EasyClean ground Multi Direct* is uncomplicated: With an extended disposal pipe on site, the disposal vehicle's connection can be made via a separate chamber or a wall cabinet. That means no opening of the tank, no unpleasant odours.



Grease separator *EasyClean* ground *Multi* Standard and Direct NS 4 – 10 for underground installation



Material: polymer

Einbau: for frost-free depth

- Installation up to groundwater GL
- a load distribution slab must be provided for load class D
- Class B = 550 mm ≤ DSC ≤ 1200 mm
Class D = 720 mm ≤ DSC ≤ 1200 mm
- minimum installation depth achievable by cutting the upper section to the required length

Version includes: Grease separator in spirally wound pipe, with integrated sampling, pump station in wet installation with GTK 1300-S1 pumps (refer to page 145 for data), telescopic height-adjustable upper section made of plastic, cover class A/B, D (class D with Lock & Lift function) to EN 124 made of GG (can be driven over by cars and trucks), closed odour-tight

Delivery: Separator completely assembled, pumps separate

Note: Further nominal sizes and installation depths on request

➤ **Accessories:** *SonicControl* grease layer thickness measuring device



EasyClean ground *Multi* Standard

NS	Installation depth D in mm	Art. no.	PG
----	----------------------------	----------	----

Installation in the ground, frost-free depth 800 mm

Cover load class A/B

NS 4	515 - 985	96 004.80B	60
NS 7	515 - 985	96 007.80B	60
NS 10	515 - 985	96 010.80B	60

Cover load class D, mit *Lock & Lift-Funktion*

NS 4	720 - 985	96 004.80D	60
NS 7	720 - 985	96 007.80D	60
NS 10	720 - 985	96 010.80D	60

Installation in the ground, frost-free depth 1200 mm

Cover load class A/B

NS 4	755 - 1225	96 004.120B	60
NS 7	755 - 1225	96 007.120B	60
NS 10	755 - 1225	96 010.120B	60

Cover load class D, mit *Lock & Lift-Funktion*

NS 4	960 - 1225	96 004.120D	60
NS 7	960 - 1225	96 007.120D	60
NS 10	960 - 1225	96 010.120D	60

EasyClean ground *Multi* Direct

NS	Installation depth D in mm	Art. no.	PG
----	----------------------------	----------	----

Installation in the ground, frost-free depth 800 mm

Cover load class A/B, Flow direction left

NS 4	515 - 985	96 004.80B-DL	60
NS 7	515 - 985	96 007.80B-DL	60
NS 10	515 - 985	96 010.80B-DL	60

Cover load class A/B, Flow direction left

NS 4	515 - 985	96 004.80B-DR	60
NS 7	515 - 985	96 007.80B-DR	60
NS 10	515 - 985	96 010.80B-DR	60

Cover load class D, Flow direction left

NS 4	720 - 985	96 004.80D-DL	60
NS 7	720 - 985	96 007.80D-DL	60
NS 10	720 - 985	96 010.80D-DL	60

Cover load class D, Flow direction right

NS 4	720 - 985	96 004.80D-DR	60
NS 7	720 - 985	96 007.80D-DR	60
NS 10	720 - 985	96 010.80D-DR	60

Installation in the ground, frost-free depth 1200 mm

Cover load class A/B, Flow direction left

NS 4	755 - 1225	96 004.120B-DL	60
NS 7	755 - 1225	96 007.120B-DL	60
NS 10	755 - 1225	96 010.120B-DL	60

Cover load class A/B, Flow direction right

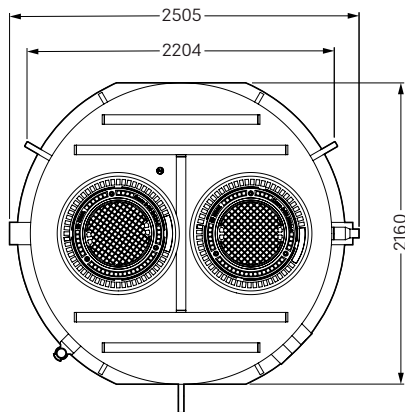
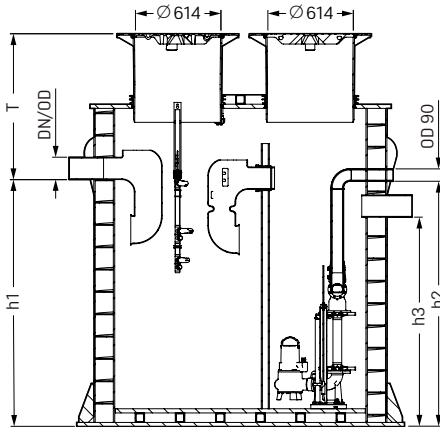
NS 4	755 - 1225	96 004.120B-DR	60
NS 7	755 - 1225	96 007.120B-DR	60
NS 10	755 - 1225	96 010.120B-DR	60

Cover load class D, Flow direction left

NS 4	960 - 1225	96 004.120D-DL	60
NS 7	960 - 1225	96 007.120D-DL	60
NS 10	960 - 1225	96 010.120D-DL	60

Cover load class D, Flow direction right

NS 4	960 - 1225	96 004.120D-DR	60
NS 7	960 - 1225	96 007.120D-DR	60
NS 10	960 - 1225	96 010.120D-DR	60



Art.-Nr.	Einbautiefe T	h1	h2	h3
96 004.80B	515 - 985	1125	830	1115
96 007.80B	515 - 985	1600	1330	1590
96 010.80B	515 - 985	1770	1500	1760
96 004.80D	720 - 985	1125	830	1115
96 007.80D	720 - 985	1600	1330	1590
96 010.80D	720 - 985	1770	1500	1760
96 004.120B	755 - 1225	1125	830	1115
96 007.120B	755 - 1225	1600	1330	1590
96 010.120B	755 - 1225	1770	1500	1760
96 004.120D	960 - 1225	1125	830	1115
96 007.120D	960 - 1225	1600	1330	1590
96 010.120D	960 - 1225	1770	1500	1760

Accessories

Grease separators for underground installation

Direct disposal, without disposal chamber

		Disposal connection	Art. no.
Disposal connection right or left	<p>Compatibility: Installed in the ground with direct disposal connection; for grease separators for underground installation according to EN 1825</p> <p>Inclusive: Flange connection Ø 65, PN 10 (welded collar and loose flange) for the suction pipe on site, with Storz-B coupling R 2 1/2" for disposal vehicle, for nominal sizes NS 1 - NS 35</p> <p>Delivery: Installed suction device for the joint disposal from sludge trap and separating chamber, tank and direct connection completely assembled, disposal pipe and Storz-B connection on site.</p> <p>Note: Further installation depths, sizes and connections on request</p>	right	917 419.00
		left	917 419.50



Disposal chamber Ø 400

		Cover	Art. no.
Disposal chamber	<p>Compatibility: For separator systems Auto Mix & Pump, Auto Mix and Mix for installation in the ground</p> <p>Material: Polyethylene, watertight</p> <p>Installation depth: 710 - 1080 mm</p> <p>Inclusive: With telescopic, height-adjustable upper section made of polymer with clamping ring, cover class A/B, D in accordance with EN 124 made of cast iron, sealed odour-tight, incl. lift-out key, with Storz-B coupling R 2 1/2" for disposal vehicle. Pressure pipe connection between separator and disposal chamber provided on-site.</p>	Class A/B	917 422B
		Class D	917 422D



Joint and connection set

		Art. no.
Joint and connection set	<p>Material: Polyethylene</p> <p>Compatibility: For connection of the grease separator (NS 1 - NS 20) to the technical chamber for the versions grease separators Auto Mix & Pump, Auto Mix and Mix in ground installation</p> <p>Inclusive: Storz-B coupling, pipe clamps</p>	917 421



Direct disposal, including disposal chamber Ø 400

		Disposal connection	Art. no.
Disposal connection right or left	<p>Compatibility: Installed in the ground with direct disposal connection for nominal sizes NS 1 - NS 35; for grease separators for underground installation according to EN 1825</p> <p>Installation depth: 630 - 980 mm</p> <p>Inclusive: Flange connection Ø 65, PN 10 (welded collar and loose flange) for the suction pipe on site, with Storz-B coupling R 2 1/2" for disposal vehicle, with chamber system Ø = 400 mm, incl. cover class A/B/D, sealed</p> <p>Delivery: Installed suction device for the joint disposal from sludge trap and separating chamber, tank and direct connection completely assembled, disposal pipe on site.</p> <p>Note: Further installation depths, sizes and connections on request</p>	right	917 420.00
		left	917 420.50



Direct disposal

Disposal chamber Ø 400

Accessories

Grease separators for underground installation

SonicControl level sensing system

Art. no.

Level sensing system

Compatibility: For grease separators for underground installation

Inclusive: Ultra sonic sensor for electronic measurement, display and control of the grease layer thickness and the water temperature; power connection, battery back up, connection for remote speaker; installation set with easy assembly and maintenance; control unit with optical and audible alarm with potential free contact; electronic log book with 12 month capacity. Data transfer by telemetry.

Voltage: 230 V ~ 50 Hz

Protection type: IP 54

Plug: Schuko 1.5 m

Cable length: 10 m (extendable on-site to 60 meters)

917 821



Cable access conduit

Art. no.

Cable access conduit

Compatibility: For grease separators for underground installation according to EN 1825 and DIN 4040; for watertight connection of *SonicControl* cable into separator chamber

Inclusive: Gasket, cable connection, extension, sensor bracket

Note: Conduit pipe with chase wire should be planned; requires 50 mm OD conduit pipe (PE-HD) -sourced on-site. Max. distance 30 m

917 823



Cable extension set for *SonicControl FA*

Art. no.

10 m extension

917 871

20 m extension

917 872

30 m extension

917 873

extendable on-site to 60 meters



Remote control

Art. no.

Remote control

Compatibility: Fits KESSEL separation systems for free standing installation according to EN 1825, for connection to an isolated ground socket

Version: Model Auto Mix & Pump and Auto Mix in accordance with EN 1825

Cable length: 15 m

916 601



Accessories

Grease separators for underground installation

Sampling chamber Ø 1000

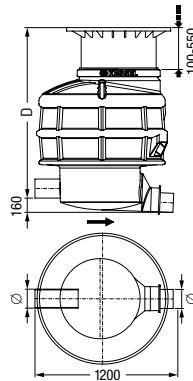
Cover class A/B

Compatibility: For separation systems NS 1 – NS 20 and special models; for underground installation
Installation depth (D): 1145 – 1585 mm
 (Other installation depths available on request)

Drop height: 160 mm

Cover class D, with Lock & Lift function

Inclusive: Inlet and outlet Ø ... for synthetic material pipes in: PE-HD (according to EN 12666-1); PVC-KG (according to EN 1401-1); PP or AS.
 With integrated access steps, with vertically height-adjustable upper section made of polymer, with cover class A / B, D according to EN 124 in cast iron sealed odour-tight, incl. removal mechanism.



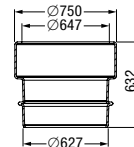
Outer dia-meter Ø (mm)	Suitable for separator	Art. no.
Ø 110	NS 1, NS 2, NS 4	915 10 10B
Ø 160	NS 7, NS 10	915 10 15B
Ø 200	NS 15, NS 20*	915 10 20B
Ø 110	NS 1, NS 2, NS 4	915 10 10D
Ø 160	NS 7, NS 10	915 10 15D
Ø 200	NS 15, NS 20*	915 10 20D

*Suitable for individual solutions

Extension section

Extension section

Compatibility: For underground grease separators with 600 mm access cover
Height increase: 500 mm



Art. no.

917 460

Sampling chamber Ø 400

Cover class A

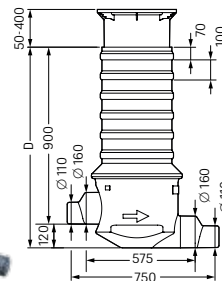
Compatibility: For connection to outlet pipe of separator for underground installation

Cover class B

Installation depth (D): 400 – 1300 mm (minimum installation depth can be achieved by cutting off)

Cover class D

Drop height: 120 mm (160 mm on request)
Inclusive: Telescopic upper section with clamping ring, cover class A / B / D, sealed odour-tight
Extension: 600 mm with extension section Art. no. 915 402



In-/Outlet	Art. no.
Ø 110/160	915 880A
Ø 110/160	915 880B
Ø 110/160	915 880D

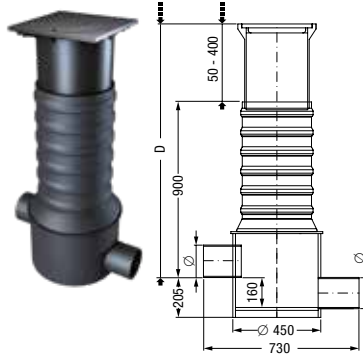
Accessories

Grease separators for underground installation

Sampling chamber Ø 450

Cover class A

Compatibility: For connection to outlet pipe of separators for underground installation
Installation depth (D): 950 – 1300 mm
Drop height: 160 mm
Inclusive: Telescopic upper section with clamping ring, cover class A/B/D, sealed odour-tight
Extension: 600 mm with extension section Art. no. 915 402



In-/Outlet

Art. no.

Ø 110	915 881A
Ø 160	915 882A
Ø 200	915 883A
Ø 260	915 884A
Ø 110	915 881B
Ø 160	915 882B
Ø 200	915 883B
Ø 260	915 884B
Ø 110	915 881D
Ø 160	915 882D
Ø 200	915 883D
Ø 260	915 884D

Cover class B

Cover class D

Extension section

Extension section

Compatibility: For sampling chamber Ø 400 and Ø 450
Extension height: max. 600 mm (can be shortened on-site)
Check maintenance accessibility!



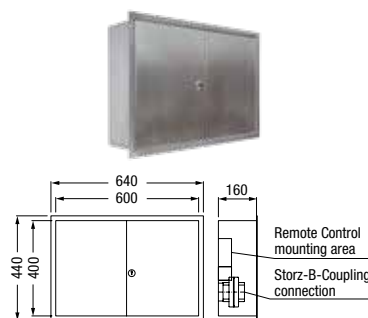
Art. no.

915 402

Access panel

Recessed wall installation

Material: Stainless steel
Compatibility: For Storz-B disposal pipe hook up connection and remote control connection for use with fully automated grease separators. Remote control not included
Inclusive: 2 doors, lockable
Note: Special dimensions on request



Width × Height × Depth
in mm

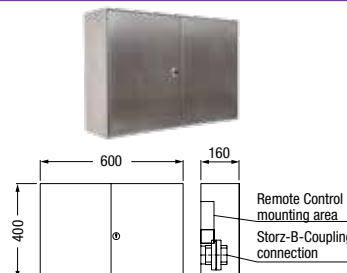
Art. no.

640 × 440 × 160

917 414

Wall installation

Material: Stainless steel
Compatibility: For Storz-B disposal pipe hook up connection and remote control connection for use with fully automated grease separators. Remote control not included
Inclusive: 2 doors, lockable
Note: Special dimensions on request



600 × 400 × 160

917 413

Secondary wastewater treatment

Bifena

When a grease separator alone is not enough: after treatment, wastewater draining out of a properly sized and certified EN 1825 grease separator normally has a residual value of lipophilic substances of approx. 300 mg/l. If the municipalities require a limit value of below 300 mg/l, biological grease treatment with a Bifena unit is needed. It removes residual grease from the wastewater with the help of bacteria.

Bifena units are available for free-standing or underground installation. The individual dimensioning is based on a wastewater sample analysis to determine what additional treatment measures need to be taken to meet local wastewater limits. Contact us – we will be happy to advise you and develop an individual solution for your specific requirements.

On the other hand, it may be necessary for chemical substances to be added. In this case a dosing station is advisable, with which the correct quantity of chemicals can be added to the separator. The unit consists of a mixing and a dosing station and can be installed near the separator.

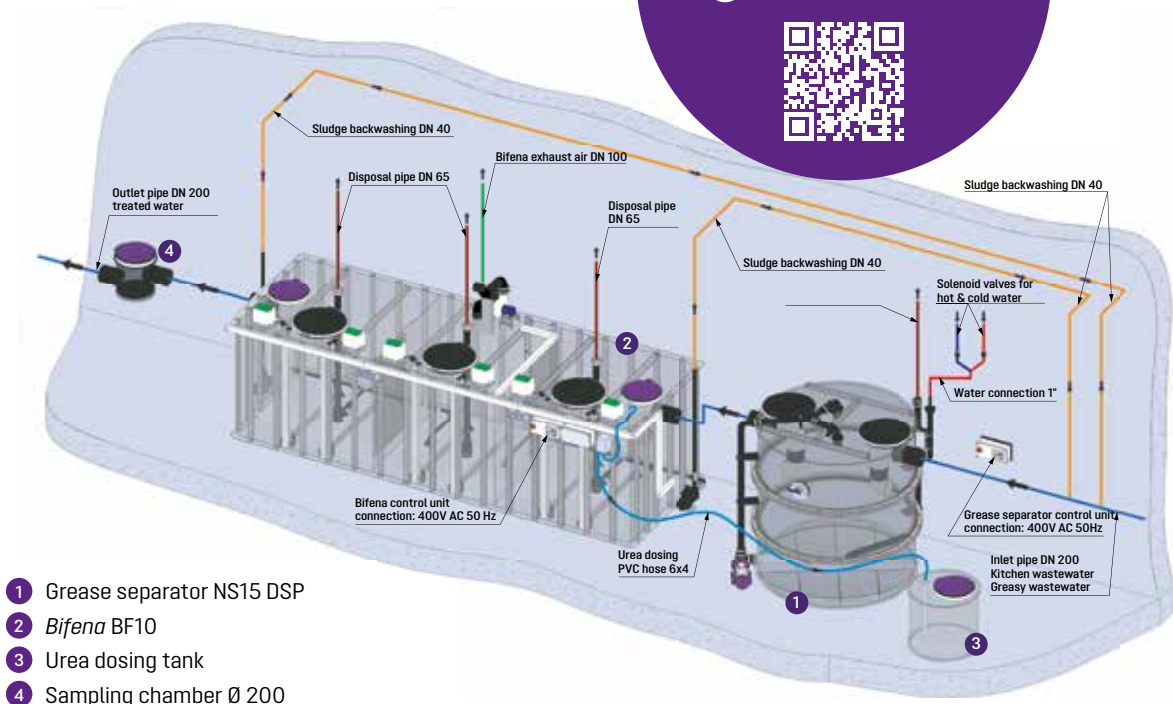
Individual solutions

info@kessel.com

Bifena

Article numbers • Data sheets
Accessories • Spareparts
Videos • Download • BIM

www.kessel.com/bifena



- 1 Grease separator NS15 DSP
- 2 Bifena BF10
- 3 Urea dosing tank
- 4 Sampling chamber Ø 200

Bifena units for biological grease treatment

for free-standing installation / for underground installation



Material: Polymer

Version:

- Bifena modules for connection after grease separators NS 2 / 4 / 7 / 10 / 15 and 20

Bifena BF 2 and Bifena BF 4

Delivery: Completely assembled system or on-site welding

Bifena with larger dimensions

Delivery: on-site welding

Dimensioning: Following a wastewater sample analysis to determine what additional treatment measures need to be taken to meet local wastewater limits

Accessories: Lifting stations, sampling devices, etc. from the KESSEL range are matched to the respective project-dependent system

Customised solution: e-Mail: info@kessel.com



Unit for chemical treatment

for free-standing installation



Material: Polymer

Version:

- Dosing station for combination with grease separators in nominal sizes NS 2 – NS 30

Delivery: Mixing and dosing station for preliminary or secondary treatment

Accessories: Lifting stations, sampling devices, etc.

Customised solution: e-Mail: info@kessel.com



Coalescence and oil / fuel separators

EasyOil free

The exposed installation for wastewater with light liquids.

Bodies of water and sewer systems must be reliably protected from contamination with mineral oil. However, a coalescence separator cannot always be installed in the ground. The reason for this can be an inlet that is too deep below the ground level or a high groundwater pressure, which prevents the installation of a cistern in the ground. This can be the case, for example, in underground car parks or in the basement of multi-storey car parks.

The *EasyOil free* was developed for these specific requirements: the space-saving alternative for exposed installation. This model is available in nominal sizes 3 and 6.



EasyOil free

Article numbers • Data sheets
Accessories • Spareparts
Videos • Download • BIM

www.kessel.com/easyoil



- 1 Coalescence separator
- 2 Lifting station
- 3 Sampling chamber

Space-saving and modular design

As the *EasyOil free* needs only a small installation area, it is ideally suitable for many rooms. Its modular design is an advantage: Its dismantled individual components can be taken to the place of installation.

SonicControl

The automatic layer thickness measuring device *SonicControl* with ultrasonic sensor takes over the precise monitoring and reporting of the oil layer thickness in coalescence and oil/fuel separators. Operators can therefore monitor the actual volumes of oil and fuel inside the separator to determine the precise disposal date.

Coalescence and oil / fuel separators

EasyOil ground

For the treatment of oil / fuel contaminated wastewater

EasyOil separators are available in Class I high efficiency coalescence separators for use in treating wastewater from petrol stations, car washes, vehicle repair garages or any source with oil/fuel contaminated wastewater.

The *EasyOil* separators are available for above-ground and under-ground installation.



- 1 Coalescence separator
- 2 Height adjustable upper section
- 3 Sampling chamber

EasyOil ground

Article numbers • Data sheets
Accessories • Spareparts
Videos • Download • BIM

www.kessel.com/easyoil



Emergency float switch

EasyOil is equipped with a self-actuated closure lock. This emergency system prevents the leakage of light liquids into the sewer pipe.

Vertically adjustable upper section

Underground models are equipped with vertically adjustable upper section which are also tiltable up to 5° – for optimum adaptation to the ground level and to compensate for ground settling.

Polymer

EasyOil is the first series of polymer coalescence and oil/fuel separator systems on the German market with national technical approval. The polyethylene material used is resistant to bioethanol (E10) and biodiesel – and therefore particularly durable. In addition to the statutory provision, we provide a 20-year warranty with regard to the leak tightness and structural safety of tanks and upper sections.

SonicControl

The automatic layer thickness measuring device *SonicControl* with ultrasonic sensor takes over the precise monitoring and reporting of the oil layer thickness in coalescence and oil/fuel separators. Operators can therefore monitor the actual volumes of oil and fuel inside the separator to determine the precise disposal date.



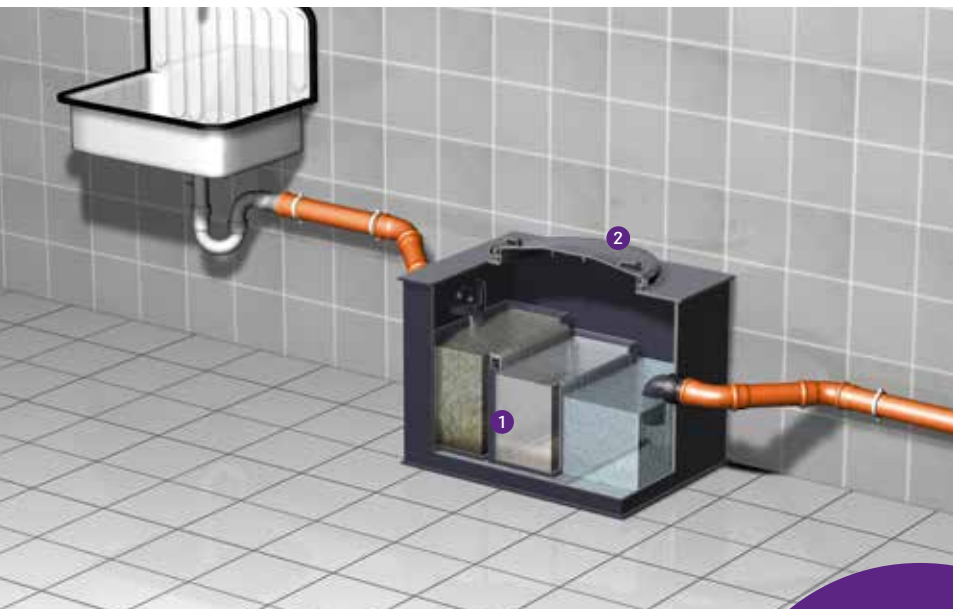
Sediment separators

EasySink free / ground

The clean solution for wastewater
with sediment, sand or sludge.

The clean solution for sediments, sand and sludge. The sediment separator *EasySink* prevents residues, such as plaster, scale and clay, from entering the sewer system. It is used wherever a lot of sludge, sand and sediment / debris occurs and can lead to blockages in the sewer system.

We offer sediment separators with the nominal sizes NS 1 and NS 2 for free-standing set-up, for installation in the ground and as individual solutions in all desired sizes.



1 Sediment separator 2 Access cover

Polymer

Polymer sediment separators are an advantageous alternative to metal solutions as they are fully corrosion free. The polyethylene material used is particularly durable. In addition to the statutory provision, we provide a 20-year warranty with regard to the leak tightness, fitness for purpose and structural safety of tanks and upper sections.

EasySink

Article numbers • Data sheets
Accessories • Spareparts
Videos • Download • BIM

www.kessel.com/easysink



Starch separator

EasyStarch free / ground

The strong solution for starchy wastewater.

Strong-acting against starch: *EasyStarch*. Starch occurs during the processing of potatoes, rice and grain. The starch separator *EasyStarch* is used to prevent deposits, encrustations and blockages in the drainage pipes.

The *EasyStarch* is available for free-standing installation and underground installation. Please get in touch with us – we will be happy to advise you and develop an individual solution for your specific requirements.

EasyStarch

Article numbers • Data sheets
Accessories • Spareparts
Videos • Download • BIM

www.kessel.com/easystarch



1 Starch separator 2 Sampling chamber 3 Lifting station

Polymer

Polymer starch separators are an advantageous alternative to metal solutions as they do not need to be refurbished, even after many years. The polyethylene material used is particularly durable. In addition to the statutory provision, we provide a 20-year warranty with regard to the leak tightness, fitness for purpose and structural safety of tanks and upper sections.



Starch separators for your special needs

Request now:
info@kessel.com

BIM

files available at
www.kessel.com



Rights reserved for technical changes.

KESSEL AG

Bahnhofstraße 31 • 85101 Lenting • Germany

www.kessel.com