

Accessories

Oil-/fuel separator / Coalescence separator for underground installation

Sampling chamber Ø 450

for underground installation

Cover class A

Compatibility: For connection to outlet pipe of separator

Installation depth (D): 950 - 1300 mm

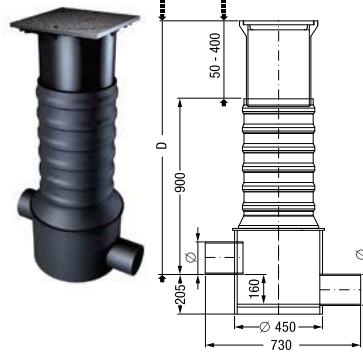
Drop height: 160 mm

Inclusive: Telescopic upper section with clamping ring, cover class A/B/D, sealed odour-tight

Extension: 600 mm with extension section Art. no. 915 402

Cover class B

Cover class D



In-/Outlet	Art. no.
Ø 110	915 881A
Ø 160	915 882A
Ø 200	915 883A
Ø 110	915 881B
Ø 160	915 882B
Ø 200	915 883B
Ø 110	915 881D
Ø 160	915 882D
Ø 200	915 883D

Sampling chamber Ø 1000

for underground installation

Cover class A/B

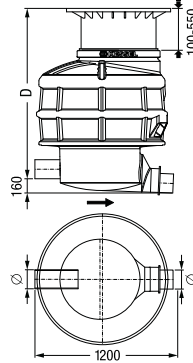
Compatibility: For separation systems NS 1 - NS 20 and special models

Installation depth (D): 1180 - 1630 mm (Other installation depths available on request)

Drop height: 160 mm

Cover class D

Inclusive: Inlet and outlet Ø ... for synthetic material pipes in: PE-HD (according to EN 12666-1); PVC-KG (according to EN 1401-1); PP or AS. With integrated access steps, with vertically height-adjustable upper section made of polymer, with cover class A/B, D according to EN 124 in cast iron sealed odour-tight, incl. removal mechanism.



Outer diameter Ø (mm)	Suitable for separator	Art. no.
Ø 110	NS 1, NS 2, NS 4	915 10 10B
Ø 160	NS 7, NS 10	915 10 15B
Ø 200	NS 15, NS 20*	915 10 20B
Ø 110	NS 1, NS 2, NS 4	915 10 10D
Ø 160	NS 7, NS 10	915 10 15D
Ø 200	NS 15, NS 20*	915 10 20D

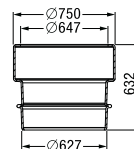
*Suitable for individual solutions

Extension section

for underground installation

Extension section

Compatibility: For underground grease separators with 600 mm access cover
Height increase: 500 mm



Art. no.
917 460

Accessories

Oil-/fuel separator / Coalescence separator for underground installation

Sampling chamber Ø 400

for underground installation

Cover class A

Compatibility: For connection to outlet pipe of separator

Installation depth (D): 400 – 1300 mm
(minimum installation depth can be achieved by cutting off)

Drop height: 120 mm (160 mm on request)

Inclusive: Telescopic upper section with clamping ring, cover class A/B/D, sealed odour-tight

Extension: 600 mm
with extension section Art. no. 915 402



In-/Outlet	Art. no.
Ø 110/160	915 880A
Ø 200	915 880A-200
Ø 110/160	915 880B
Ø 200	915 880B-200
Ø 110/160	915 880D
Ø 200	915 880D-200

Cover class B

Cover class D

Extension section

for underground installation

Extension section

Compatibility: For sampling chamber Ø 400 and Ø 450

Extension height: max. 600 mm (can be shortened on-site)

Check maintenance accessibility!



Art. no.

915 402

SonicControl level sensing system

for oil / coalescence separators from NS 3

Oil layer thickness and back-up / overflow warning

Inclusive: Ultra sonic sensor for centimeter accurate monitoring and display of oil / fuel layer thickness along with backwater / flooding alarm; ATEX certification; power connection, battery back up, connection for remote speaker

Oil layer thickness

Voltage: 230 V ~ 50 Hz
Protection type: IP 54
Plug: Schuko (double pole)

back-up / overflow warning

Cable length: 30 m with cable duct set. The sensor cable can be extended to a total length of 60 m. Cable extension set see below
Certification: BVS 11 ATEX E 040 X
• Sensor can be used in explosive areas (Zone 0)
• Acc. to RL 2014/34/EU designed in ignition protection class „Intrinsic safety“



Type Art. no.

OA	917 826
O	917 828
A	917 830

Cable extension set for SonicControl

for oil / coalescence separators

10 m extension

20 m extension

30 m extension



Art. no.

917 861
917 862
917 863

Accessories

Oil-/fuel separator / Coalescence separator for underground installation

Safety

Compatibility see product description

		Art. no.
TeleControl telemetric system	Compatibility: For connection to KESSEL Comfort control units 230 Volt and 400 Volt Function: Relaying of full text messages to up to three mobile phones Inclusive: With internal antenna (without SIM card)	28 792
Antenna booster with magnetic base	Compatibility: For TeleControl telemetric system to improve the reception Cable length: 2.5 m	28 793
Extension cable	Compatibility: For antenna booster Cable length: 2.5 m	28 794

Oil/fuel / Sludge suction system

Compatibility see product description

		Outer diameter Ø (mm)	Art. no.
Oil / fuel suction system	Compatibility: For direct suction of oil / fuel into disposal vehicle, for inlet Ø 160 and Ø 200 Inclusive: Storz B connection coupling	Ø 160 Ø 200	917 803 917 808
Sludge suction system	Compatibility: For direct suction of sludge / sediment into disposal vehicle, for inlet Ø 160 and Ø 200 Inclusive: Storz B connection coupling	Ø 160 Ø 200	917 804 917 809

Coalescence filter insert

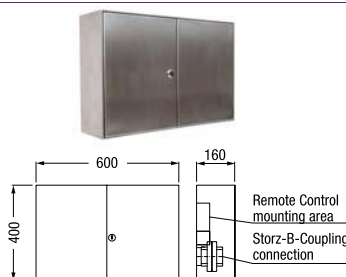
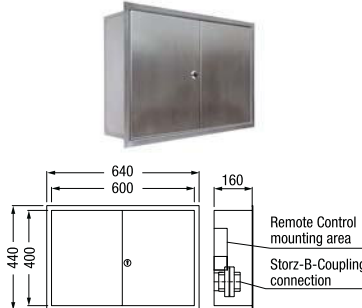
Compatibility see product description

		Art. no.
Coalescence filter insert	Compatibility: For retrofitting the KESSEL Oil/fuel separator NS 3 - NS 15 to coalescence separator with two covers	917 805

Access panel

for separation systems

		Width×Height×Depth in mm	Art. no.
Recessed wall installation	Material: Stainless steel Compatibility: For Storz-B disposal pipe hook up connection and remote control connection for use with fully automated separators. Remote control not included Inclusive: 2 doors, lockable	640×440×160	917 414
Wall installation	Material: Stainless steel Compatibility: For Storz-B disposal pipe hook up connection and remote control connection for use with fully automated separators. Remote control not included Inclusive: 2 doors, lockable	600×400×160	917 413



Not found what you're looking for?

In addition to our standard separators, we also develop individual solutions for special requirements. Please contact info@kessel.com for personal support for a customized separator.



Individual solutions

info@kessel.com